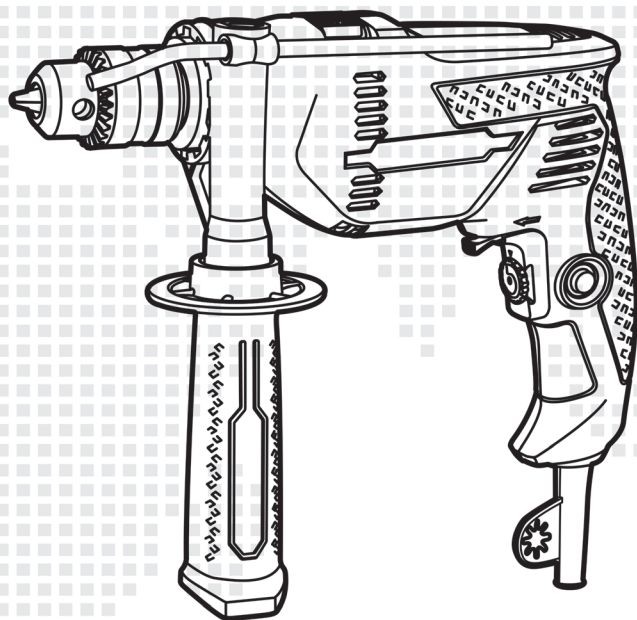


CROWN

TOOLS FOR A BETTER LIFE

- CT10128
- CT10128C
- CT10129
- CT10129C
- CT10130
- CT10130C



- en** Original instructions
- ru** Оригинальное руководство по эксплуатации
- ua** Оригінальна інструкція з експлуатації
- kz** Пайдалану нұсқаулығының түпнұсқасы

English

Explanatory drawings	pages 3 - 8
General safety rules, instructions manual	pages 9 - 15

Русский

Пояснительные рисунки	страницы 3 - 8
Общие указания по ТБ, инструкция по эксплуатации	страницы 16 - 23

Українська

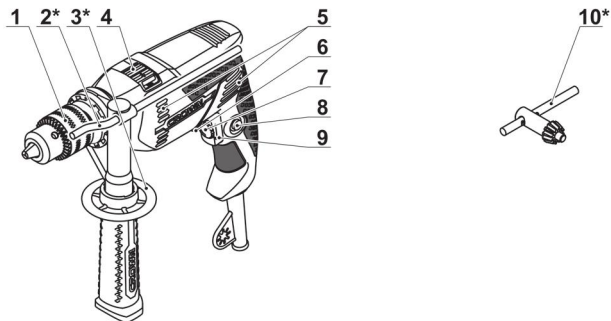
Пояснювальні малюнки	сторінки 3 - 8
Загальні вказівки по ТБ, інструкція з експлуатації	сторінки 24 - 31

Қазақ тілі

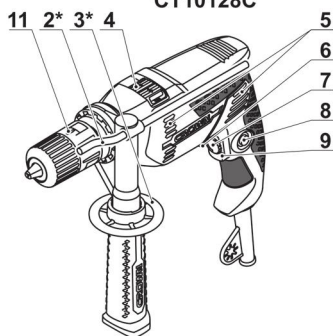
Түсіндіргіш әлеміштер	беттер 3 - 8
Жалпы қауіпсіздік жөніндегі ұсыныстар, пайдалану нұсқаулығы	беттер 32 - 38



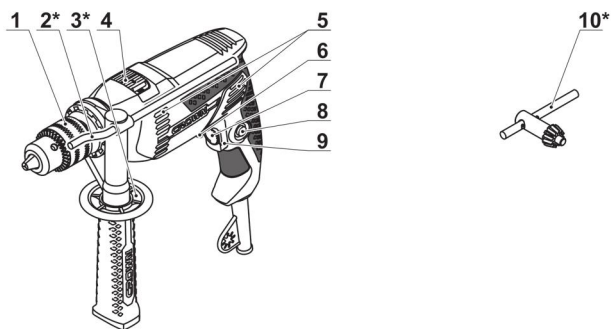
CT10128



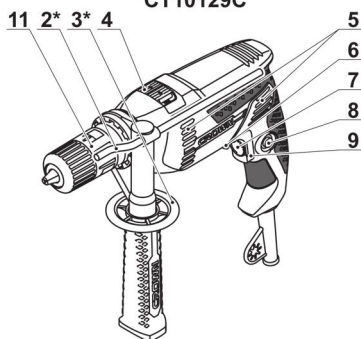
CT10128C



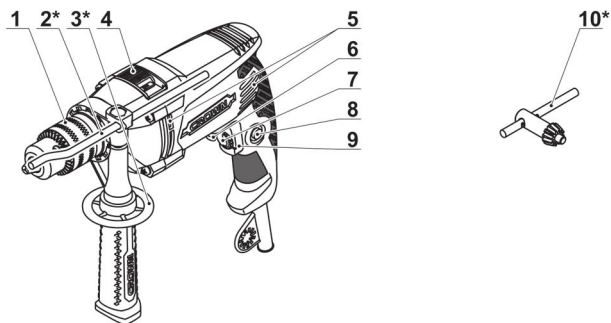
CT10129



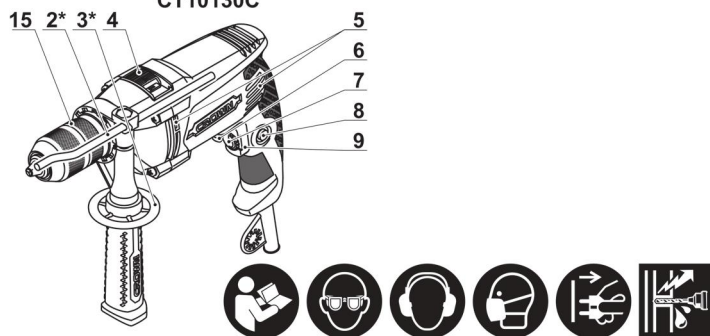
CT10129C



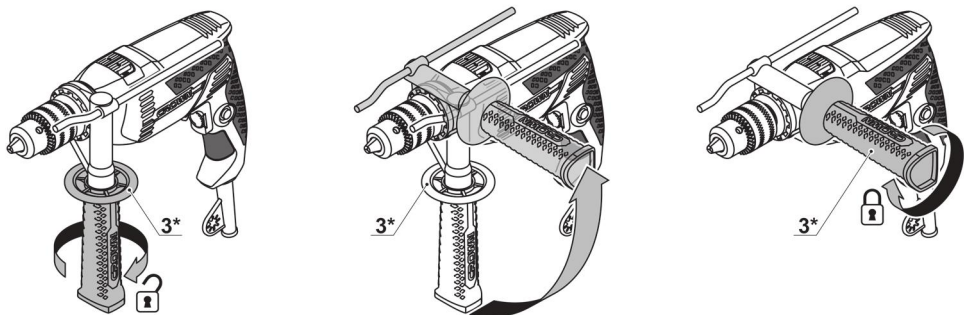
CT10130



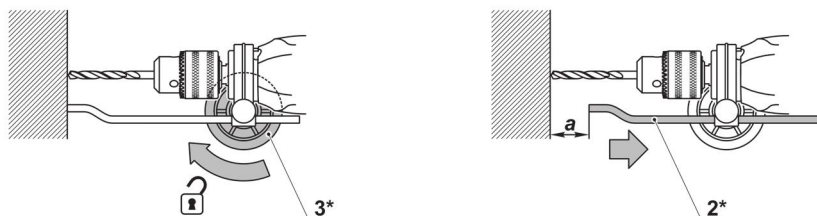
CT10130C

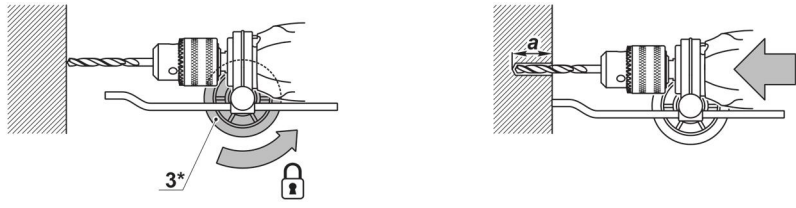


1

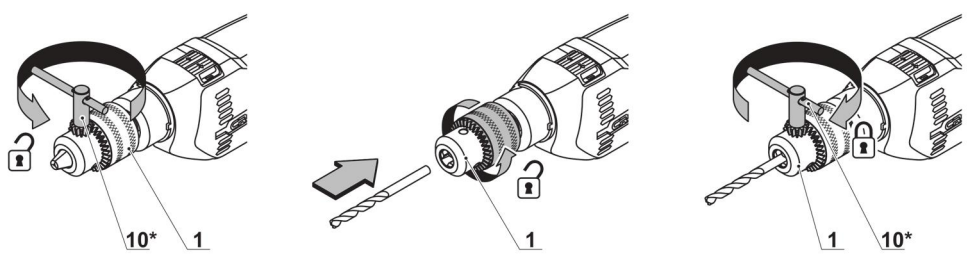


2

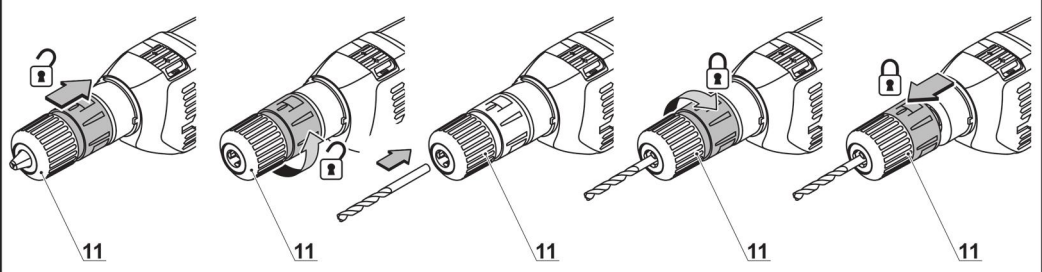




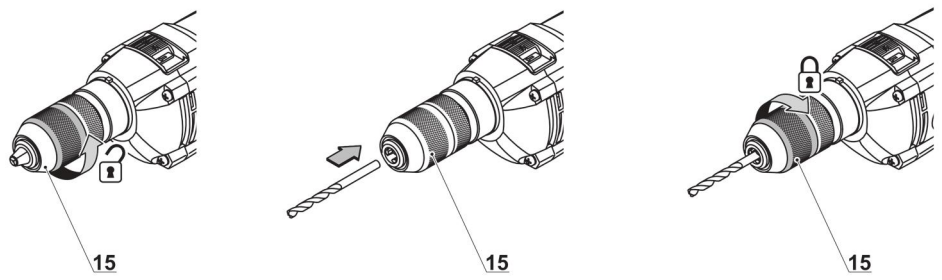
CT10128 / CT10129 / CT10130



CT10128C / CT10129C

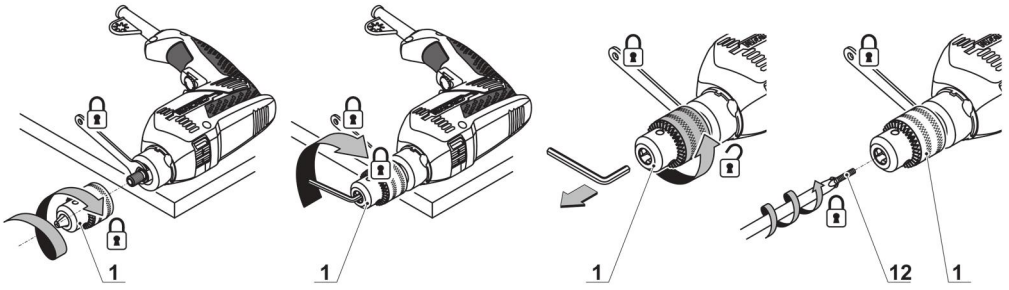


CT10130C



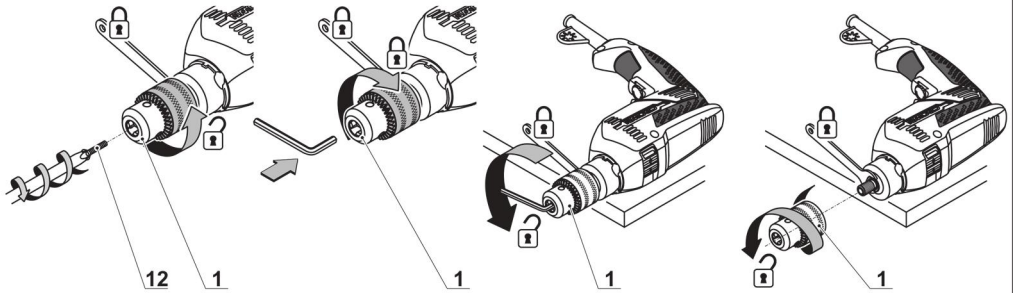
CT10128 / CT10129 / CT10130

7



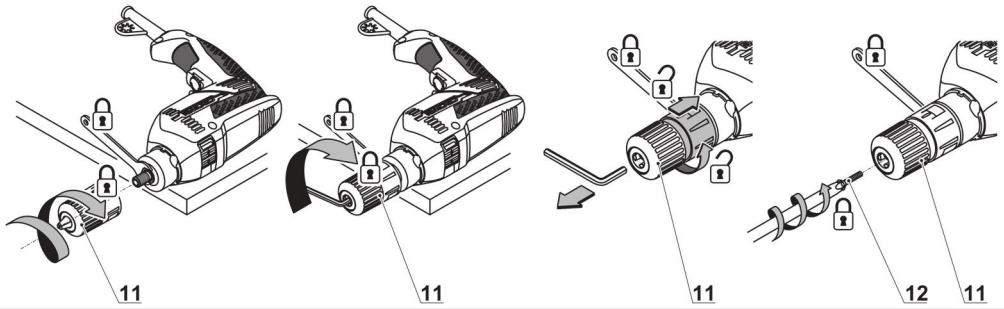
CT10128 / CT10129 / CT10130

8



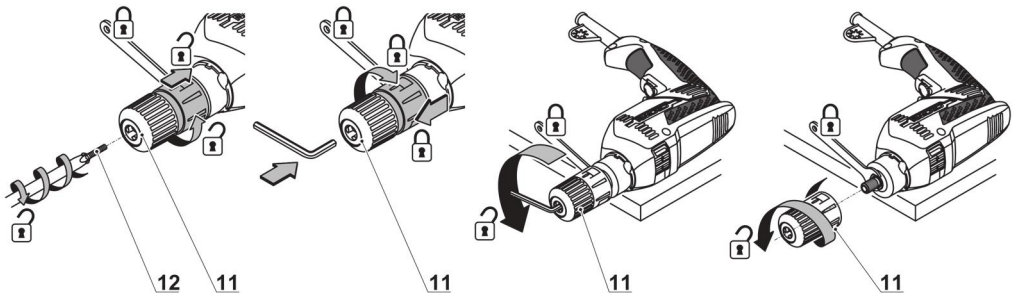
CT10128C / CT10129C

9



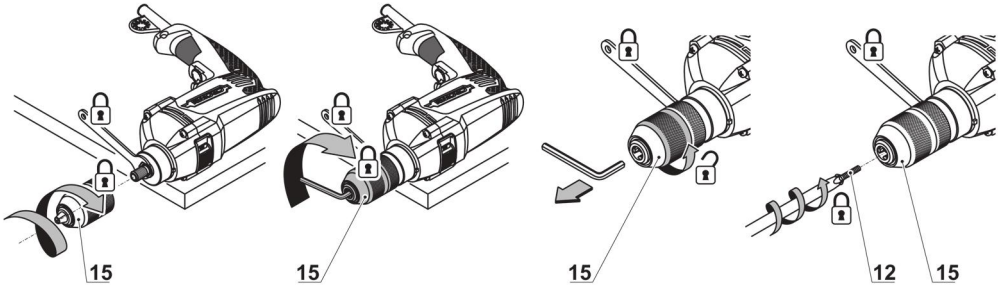
CT10128C / CT10129C

10



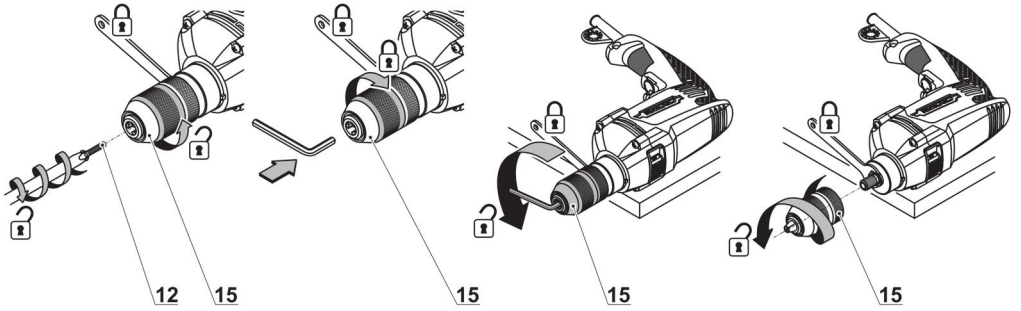
CT10130C

11

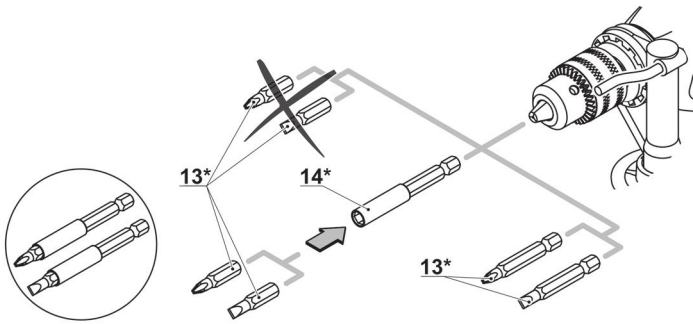


CT10130C

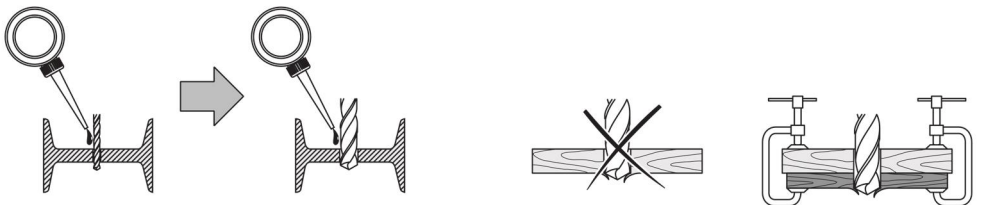
12

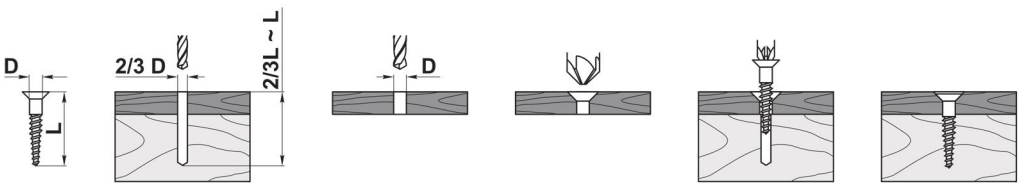
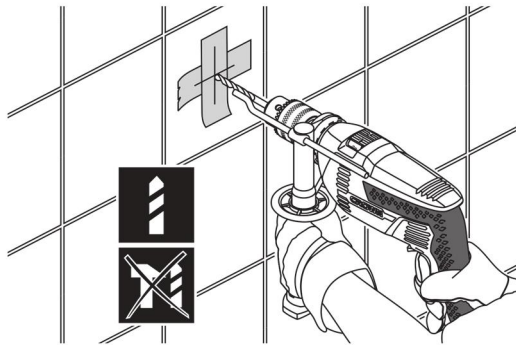
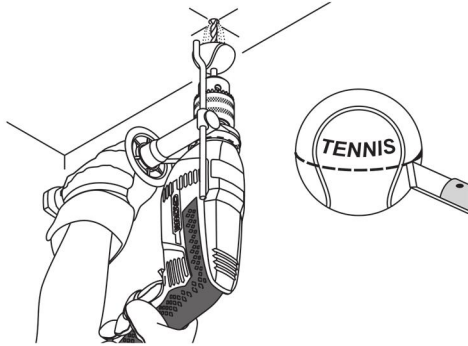
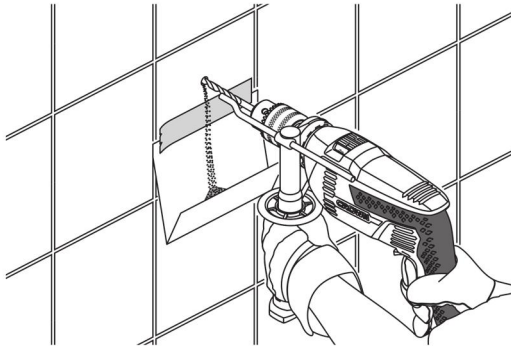


13



14





Power tool specifications

Impact drill	CT10128	CT10128C	CT10129	CT10129C	CT10130	CT10130C
Power tool code	[220-230 V ~50/60 Hz] 420152	420169	420176	420183	420190	420206
Rated power	[W]	600	600	750	750	810
Power output	[W]	305	305	398	398	430
Amperage at voltage	110-127 V [A]	5	5	6.3	6.3	6.5
	220-230 V [A]	2.8	2.8	3.5	3.5	3.9
No-load speed	[min ⁻¹]	0-2800	0-2800	0-2800	0-2800	0-2800
Chuck tightening range	[mm]	1,5-13	2-13	1,5-13	2-13	1,5-13
	[inches]	1/16"-33/64"	5/64"-33/64"	1/16"-33/64"	5/64"-33/64"	1/16"-33/64"
Drilling output:						
- concrete	[mm]	13	13	16	16	16
	[inches]	33/64"	33/64"	5/8"	5/8"	5/8"
- steel	[mm]	13	13	13	13	13
	[inches]	33/64"	33/64"	33/64"	33/64"	33/64"
- wood	[mm]	20	20	30	30	30
	[inches]	25/32"	25/32"	1-3/16"	1-3/16"	1-3/16"
Weight	[kg]	1,7	1,7	1,9	1,9	2,2
	[lb]	3,75	3,75	4,19	4,19	4,85
Safety class		□ / II	□ / II	□ / II	□ / II	□ / II
Sound pressure	[dB(A)]	91,96	91,96	92,38	92,38	87,22
Acoustic power	[dB(A)]	102,96	102,96	103,38	103,38	98,22
Weighted vibration	[m/s ²]	12,08	12,08	14,38	14,38	12,41

Noise information



Always wear ear protection if the sound pressure exceed 85 dB(A).

CE Declaration of conformity

We declare under our sole responsibility that the product described under "Power tool specifications" is in conformity with all relevant provisions of the directives 2006/42/EC including their amendments and complies with the following standards: EN 60745-1, EN 60745-2-1.

Certification manager

Wu Cunzhen

Merit Link International AG
Stabio, Switzerland, 05.10.2017



WARNING - To reduce the risk of injury, user must read instruction manual!

General safety rules



WARNING! Read all safety warnings and all instructions. Failure to follow the warnings and instructions may result in electric shock, fire and / or serious injury.

Save all warnings and instructions for future reference.

The term "power tool" in the warnings refers to your mains-operated (corded) power tool or battery-operated (cordless) power tool.

Work area safety

- **Keep work area clean and well lit.** Cluttered or dark areas invite accidents.
- **Do not operate power tools in explosive atmospheres, such as in the presence of flammable liquids, gases or dust.** Power tools create sparks which may ignite the dust or fumes.
- **Keep children and bystanders away while operating a power tool.** Distractions can cause you to lose control.

Electrical safety

- **Power tool plugs must match the outlet. Never modify the plug in any way. Do not use any adapter plugs with earthed (grounded) power tools.** Unmodified plugs and matching outlets will reduce risk of electric shock.
- **Avoid body contact with earthed or grounded surfaces, such as pipes, radiators, ranges and refrigerators.** There is an increased risk of electric shock if your body is earthed or grounded.
- **Do not expose power tools to rain or wet conditions.** Water entering a power tool will increase the risk of electric shock.
- **Do not abuse the cord. Never use the cord for carrying, pulling or unplugging the power tool.**

Keep cord away from heat, oil, sharp edges or moving parts. Damaged or entangled cords increase the risk of electric shock.

- **When operating a power tool outdoors, use an extension cord suitable for outdoor use.** Use of a cord suitable for outdoor use reduces the risk of electric shock.

- **If operating a power tool in a damp location is unavoidable, use a residual current device (RCD) protected supply.** Use of an RCD reduces the risk of electric shock. NOTE! The term "residual current device (RCD)" may be replaced by the term "ground fault circuit interrupter (GFCI)" or "earth leakage circuit breaker (ELCB)".

- **Warning! Never touch the exposed metal surfaces on gearbox, shield, and so on because touching metal surfaces will be interfered with the electromagnetic wave, thus causing potential injury or accidents.**

Personal safety

- **Stay alert, watch what you are doing and use common sense when operating a power tool. Do not use a power tool while you are tired or under the influence of drugs, alcohol or medication.** A moment of inattention while operating power tools may result in serious personal injury.

- **Use personal protective equipment. Always wear eye protection.** Protective equipment such as dust mask, non-skid safety shoes, hard hat, or hearing protection used for appropriate conditions will reduce personal injuries.

- **Prevent unintentional starting. Ensure the switch is in the off-position before connecting to power source and / or battery pack, picking up or carrying the tool.** Carrying power tools with your finger on the switch or energising power tools that have the switch on invites accidents.

- **Remove any adjusting key or wrench before turning the power tool on.** A wrench or a key left attached to a rotating part of the power tool may result in personal injury.

- **Do not overreach. Keep proper footing and balance at all times.** This enables better control of the power tool in unexpected situations.

- **Dress properly. Do not wear loose clothing or jewellery. Keep your hair, clothing and gloves away from moving parts.** Loose clothes, jewellery or long hair can be caught in moving parts.

- **If devices are provided for the connection of dust extraction and collection facilities, ensure these are connected and properly used.** Use of dust collection can reduce dust-related hazards.

- **Do not let familiarity gained from frequent use of tools allow you to become complacent and ignore tool safety principles.** A careless action can cause severe injury within a fraction of a second.

- **Warning!** Power tools can produce an electromagnetic field during operation. This field may under some circumstances interfere with active or passive medical implants. To reduce the risk of serious or fatal injury, we recommend persons with medical implants to consult their physician and the medical implant manufacturer before operating this power tool.

Power tool use and care

- The persons with lowered psychophysical or mental aptitudes as well as children can not operate the

power tool, if they are not supervised or instructed about use of the power tool by a person responsible for their safety.

- **Do not force the power tool. Use the correct power tool for your application.** The correct power tool will do the job better and safer at the rate for which it was designed.

- **Do not use the power tool if the switch does not turn it on and off.** Any power tool that cannot be controlled with the switch is dangerous and must be repaired.

- **Disconnect the plug from the power source and / or the battery pack from the power tool before making any adjustments, changing accessories, or storing power tools.** Such preventive safety measures reduce the risk of starting the power tool accidentally.

- **Store idle power tools out of the reach of children and do not allow persons unfamiliar with the power tool or these instructions to operate the power tool.** Power tools are dangerous in the hands of untrained users.

- **Maintain power tools. Check for misalignment or binding of moving parts, breakage of parts and any other condition that may affect the power tool's operation. If damaged, have the power tool repaired before use.** Many accidents are caused by poorly maintained power tools.

- **Keep cutting tools sharp and clean.** Properly maintained cutting tools with sharp cutting edges are less likely to bind and are easier to control.

- **Use the power tool, accessories and tool bits etc. in accordance with these instructions, taking into account the working conditions and the work to be performed.** Use of the power tool for operations different from those intended could result in a hazardous situation.

- **Keep handles and grasping surfaces dry, clean and free from oil and grease.** Slippery handles and grasping surfaces do not allow for safe handling and control of the tool in unexpected situations.

- Note that when you operate a power tool, please hold the auxiliary handle correctly, which is helpful when controlling the power tool. Therefore, proper holding can reduce the risk of accidents or injuries.

Service

- **Have your power tool serviced by a qualified repair person using only identical replacement parts.** This will ensure that the safety of the power tool is maintained.

- Follow instruction for lubricating and changing accessories.

Special safety warnings

- **Wear ear protectors when impact drilling.** Exposure to noise can cause hearing loss.

NOTE: The above warning applies only to impact drills and may be omitted for drills other than impact drills.

- **Use auxiliary handle(s), if supplied with the tool.** Loss of control can cause personal injury.

- **Hold power tool by insulated gripping surfaces, when performing an operation where the cutting accessory may contact hidden wiring or its own cord.** Cutting accessory contacting a "live" wire may

make exposed metal parts of the power tool "live" and could give the operator an electric shock.

Safety guidelines during power tool operation

- The workpiece shall be fastened. Fixed devices or vice shall be used to fasten the workpiece, which will be more secure than holding the workpiece with your hands.

- Considering that asbestos may cause cancer, asbestos-containing materials shall not be processed.

- The power tool could be put down only after the parts of power tool is completely static. Accessory on the power tool might be clamped during work, which may make it difficult for you to control the power tool.

- Power tool with damaged electric wires shall not be used. If electric wires of the power supply are damaged during the work, you shall not touch the damaged electric wires and shall pull out the plug immediately. Damaged electric wires will raise the risk of electric shock.

- When using power tools outdoor, you must install fault current (FI) protection switch on the power tool.

- Appropriate detector shall be used to find the location of hidden power wires. Or you should obtain relevant information from local power supply unit. Drilling electric wires will cause fire and electric shock. Damaged gas pipe will cause explosion. If water pipes are punctured, damage will be caused to property.

- In case a accessory installed on the power tool is clamped, you shall shut down the power tool and stay calm. At that time, the power tool will produce extremely high reactive torque thus resulting in return stroke. The accessory installed on the power tool are likely to be clamped, for example: hypercharge of power tool or skewing of accessory installed on the power tool during work.

- If hidden electric wires or power lines of the power tool itself might be cut off during work, you must hold the insulated handle to operate the power tool. When the power tool is in touch with a charged line, the metal parts on the power tool will conduct electricity and may cause the operator to get an electric shock.

- During work, you must tightly hold the power tool and ensure you stand firmly. You should hold the power tool with your hands.

- When operating and using the power tool, you can only hold switch position of the main handle rather than other parts.

- Avoid stopping an power tool motor when loaded.
- Never remove any chips or fragments with your power tool's motor running.

- When working, follow the position of the power supply cable. Avoid winding it around your legs or arms.

- Use only sharp drill bits without defects - it will make working with the power tool easier.

- The modification of the drill bits design and the use of removable orifices and accessories not envisaged for this power tool is strictly forbidden.

- Do not apply excessive pressure when operating the power tool - it can jam the drill bit and overload the engine.

- Do not allow drill bits to jam in the material processed. If this occurs, do not try to release them by means of the power tool engine. This can put the power tool out of order.

- Striking out drill bits jammed in the material processed with a hammer or other objects is strictly forbidden.















bidden - metal fragments can hurt both the operator and the people nearby.

- Avoid overheating your power tool, when using it for a long time.

Symbols used in the manual

Following symbols are used in the operation manual, please remember their meanings. Correct interpretation of the symbols will allow correct and safe use of the power tool.

Symbol	Meaning
	Impact drill Sections marked gray - soft grip (with insulated surface).
	Serial number sticker: CT ... - model; XX - date of manufacture; XXXXXXX - serial number.
	Read all safety regulations and instructions.
	Wear safety goggles.
	Wear ear protectors.
	Wear a dust mask.
	Disconnect the power tool from the mains before installation or adjustment.
	Risk of damage to hidden wiring or household service lines.
	Movement direction.
	Rotation direction.

Symbol	Meaning
	Locked.
	Unlocked.
	Prohibited.
	"Drilling" mode.
	Drill tiles in the impactless drilling operation mode only.
	Double insulation / protection class.
	A sign certifying that the product complies with essential requirements of the EU directives and harmonized EU standards.
	Attention. Important.
	Useful information.
	Wear protective gloves.
	"Drilling" position of the mode selector switch.
	"Impact drilling" position of the mode selector switch.
	Stepless speed control.
	Do not dispose of the power tool in a domestic waste container.

Power tool designation

Impact electric drills are used for drilling in steel, wood, ceramics and for impact drilling in brick, cement and similar materials. The ability to adjust the speed and availability of the reverse mode allows the power tool to be used as a screwdriver.

The area of the tool application can be expanded due to use of additional accessories.

There is a possibility of a stationary installation of the tool by use of some special accessories.

Power tool components

- 1 Gear rim chuck
- 2 Depth stop *
- 3 Additional handle *
- 4 "Impact / drill" switch
- 5 Ventilation slots
- 6 Rotational direction switch
- 7 Speed selector thumbwheel
- 8 Lock-on button
- 9 On / off switch
- 10 Drill chuck key *
- 11 Keyless chuck (with lock)
- 12 Screw
- 13 Screwdriver bit *
- 14 Magnetic holder *
- 15 Keyless chuck

* Optional extra

Not all of the accessories illustrated or described are included as standard delivery.

Installation and regulation of power tool elements

Before carrying out any works on the power tool it must be disconnected from the mains.



Do not draw up the fastening elements too tight to avoid damaging the thread.



Mounting / dismantling / setting-up of some elements is the same for all power tool models, in this case specific models are not indicated in the illustration.

Additional handle (see fig. 1)

Always use the additional handle **3** when operating. Additional handle **3** may be positioned as deemed comfortable by the user.

- Loose additional handle **3** as shown in fig. 1.
- Place additional handle **3** in desired position.
- Tighten additional handle **3** as shown in fig. 1.

Depth stop (see fig. 2-3)

Use depth stop **2** to set a required drilling depth (see fig. 2).

- Loose additional handle **3** as shown in fig. 2.

- Move depth stop **2** to set a required drilling depth (see fig. 2).
- Tighten additional handle **3** as shown in fig. 3.

Mounting / replacement of accessories



With long-term use the drill bit may become very warm; use gloves to remove it.

Gear rim chuck (see fig. 4)

[CT10128, CT10129, CT10130]

- Release the cams grip with clamping wrench **10**, then rotate the quill of gear rim chuck **1** counter-clockwise with your hand (see fig. 4) until the cams move apart at the distance allowing an accessory to be mounted / replaced.
- Mount / replace an accessory.
- Rotate the quill of gear rim chuck **1** clockwise with your hand in order to lock the accessory mounted. Do not allow the accessory to become distorted.
- Tighten the cams of gear rim chuck **1** with clamping wrench **10** applying a similar torque to each of the three openings on the side surface of the chuck.

Keyless chuck (with lock) (see fig. 5)

[CT10128C, CT10129C]

- Move the clutch in the back part of keyless chuck (with lock) **11** back until it clicks into position (see fig. 5).
- Open the jaws of the keyless chuck (with lock) **11** - hold its rear part with one hand and rotate its front part with the other hand as it is shown in figure 5.
- Mount / replace the accessory.
- Tighten the keyless chuck (with lock) **11** without skewing the accessory as it is shown in figure 5.
- To fix the lock, move the clutch in the back part of keyless chuck (with lock) **11** forward until it clicks into position.

Keyless chuck (see fig. 6)

[CT10130C]

- Open the jaws of the keyless chuck **15** - hold its rear part with one hand and rotate its front part with the other hand as it is shown in figure 6.
- Mount / replace the accessory.
- Tighten the keyless chuck **15** without skewing the accessory as it is shown in figure 6.

Mounting / dismantling of the drill chuck (see fig. 7-12)

- To mount the gear rim chuck **1**, carry out the operations in consecutive stages as it is shown in figure 7.
- To dismantle the gear rim chuck **1**, carry out the operations in consecutive stages as it is shown in figure 8.
- The mounting or dismantling of keyless chuck (with lock) **11** is done in a similar way, see fig. 9-10.
- The mounting or dismantling of keyless chuck **15** is done in a similar way, see fig. 11-12.



Attention: keep in mind that in the process of mounting / dismantling of the drill chuck the screw 12 has a left-hand thread.

Screwdriver bit / magnetic holder (see fig. 13)

When using the power tool as a screwdriver, use magnetic holder 14 for reliable locking of screwdriver bits 13 (see fig. 13). A magnetic holder 14 is not needed for extended screwdriver bits 13 (specially purposed for screwdrivers).

Initial operating of the power tool

Always use the correct supply voltage: the power supply voltage must match the information quoted on the power tool identification plate.

Switching the power tool on / off

Short-term switching on / off

To switch on, press and hold on / off switch 9, to switch off - release it.

Long-term switching on / off

Switching on:

Push on / off switch 9 and lock it in the position with lock-on button 8.

Switching off:

Push and release on / off switch 9.

Design features of the power tool

"Impact / drill" switch

Switch 4 is purposed for switching between the following operation modes of the power tool:

- **drilling, screwing, unscrewing** - drilling without impact in wood, synthetic materials, metal. Screwing and unscrewing fastening components;
- **impact drilling** - impact drilling in brick, concrete, natural stone.



Drilling, screwing, unscrewing:

To switch to this operation mode, move switch 4 right to the stop.



Impact drilling:

To switch to this operation mode, move switch 4 left to the stop.

One can switch to another operation mode without stopping the power tool, simply decrease pressure applied to it to some extent.

Stepless speed adjustment



Speed is controlled from 0 to maximum by pressing force of on / off switch 9. Weak pressing results in low revolutions, which enable a smooth power tool switch-on.

Speed selector thumbwheel

Use speed control 7 to set required revolutions and impact frequency.

- Push on / off switch 9 and lock it in the position with lock-on button 8.
- Set the needed speed.

The required speed is dependent on the material and can be determined with practical trials.

When operating your power tool at a low speed for a long time, it has to be cooled down for 3 minutes. To do it, set a maximum speed and leave your power tool to run idle.

Changing the rotational directions



Change the direction of rotation only after a full stop of the motor, acting otherwise may cause damage to the power tool.

Rotation to the right (drilling, screwing in) - move the rotational direction switch 6 to the right.

Rotation to the left (unscrewing) - move the rotational direction switch 6 to the left.

Recommendations on the power tool operation

Drilling (see fig. 14-17)

- Grease the drill bit regularly when drilling holes in metals (except drilling non-ferrous metals and their alloys).
- When drilling hard metals, apply more force to the power tool and lower the rotation speed.
- When drilling large diameter holes in metal, first drill a hole with a smaller diameter and ream it till the necessary diameter (see. fig. 14).
- In order to avoid splitting of the surface at an exit point of a drill bit when drilling holes in wood, follow the instructions shown in figure 14.
- In order to decrease dust production when drilling holes in walls and ceilings, take actions indicated in fig. 15-16.
- When drilling holes in glazed ceramic tiles, in order to improve the drill centering accuracy and to save the glaze from damage, apply adhesive tape to the presumed hole center and drill after that (see fig. 17). Start drilling at lower speed increasing it as the hole deepens. **Caution: drill tiles in the impactless drilling operation mode only.**

Impact drilling

During the impact drilling, the result does not depend on the pressure applied to the power tool - this is caused due to the peculiarities in the impact mechanism design. That is why you should not apply excessive pressure to the power tool - it can jam the drill and overload the engine.

Screwing the screws (see fig. 18)

- To make fastening of screws easier and in order to prevent cracking of the work pieces, first drill a

hole with a diameter equal to 2/3 of a diameter of the screw.

- If you are connecting work pieces with the help of screws, in order to achieve durable joint without getting cracks, fracturing or layering, take actions shown in figure 18.

Power tool maintenance / preventive measures

Before carrying out any works on the power tool it must be disconnected from the mains.

Cleaning of the power tool

An indispensable condition for a safe long-term exploitation of the power tool is to keep it clean. Regularly flush the power tool with compressed air through the ventilation slots **5**.

After-sales service and application service

Our after-sales service responds to your questions concerning maintenance and repair of your product as

well as spare parts. Information about service centers, parts diagrams and information about spare parts can also be found under: www.crown-tools.com.

Transportation of the power tools

- Categorically not to drop any mechanical impact on the packaging during transport.
- When unloading / loading is not allowed to use any kind of technology that works on the principle of clamping packaging.

Environmental protection



Recycle raw materials instead of disposing as waste.

Power tool, accessories and packaging should be sorted for environment-friendly recycling.

The plastic components are labelled for categorized recycling.

These instructions are printed on recycled paper manufactured without chlorine.

The manufacturer reserves the possibility to introduce changes.

English

Технические характеристики электроинструмента

Электродрель-перфоратор	СТ10128	СТ10128С	СТ10129	СТ10129С	СТ10130	СТ10130С
Код электроинструмента	[220-230 V ~50/60 Hz]	420152	420169	420176	420183	420206
Номинальная мощность	[Вт]	600	600	750	750	810
Выходная мощность	[Вт]	305	305	398	398	430
Сила тока при напряжении 110-127 В [А] 220-230 В [А]		5 2.8	5 2.8	6.3 3.5	6.3 3.5	6.5 3.9
Число оборотов холостого хода	[мин ⁻¹]	0-2800	0-2800	0-2800	0-2800	0-2800
Диапазон зажима сверлильного патрона	[мм] [дюймы]	1,5-13 1/16"-33/64"	2-13 5/64"-33/64"	1,5-13 1/16"-33/64"	2-13 5/64"-33/64"	1,5-13 1/16"-33/64"
Максимальный диаметр сверления:						
- бетон	[мм] [дюймы]	13 33/64"	13 33/64"	16 5/8"	16 5/8"	16 5/8"
- сталь	[мм] [дюймы]	13 33/64"	13 33/64"	13 33/64"	13 33/64"	13 33/64"
- дерево	[мм] [дюймы]	20 25/32"	20 25/32"	30 1-3/16"	30 1-3/16"	30 1-3/16"
Вес	[кг] [фунты]	1,7 3,75	1,7 3,75	1,9 4,19	1,9 4,19	2,2 4,85
Класс безопасности		□ / II	□ / II	□ / II	□ / II	□ / II
Звуковое давление	[дВ(А)]	91,96	91,96	92,38	92,38	87,22
Акустическая мощность	[дВ(А)]	102,96	102,96	103,38	103,38	98,22
Вибрация	[м/с ²]	12,08	12,08	14,38	14,38	12,41

Информация о шуме



Носить приспособление для защиты органов слуха при уровне звукового давления свыше 85 dB(A).

CE Соответствия требуемым нормам

Мы заявляем под нашу единоличную ответственность, что описанный в разделе "Технические характеристики электроинструмента" продукт отвечает всем соответствующим положениям Директив 2006/42/ЕС, включая их изменения, а также следующим нормам: EN 60745-1, EN 60745-2-1.

Менеджер по сертификации

Wu Cunzhen

Merit Link International AG
Stabio, Швейцария, 05.10.2017



ПРЕДУПРЕЖДЕНИЕ. Чтобы снизить риск получения травм, пользователь должен ознакомиться с руководством по эксплуатации!

Общие правила техники безопасности



ПРЕДУПРЕЖДЕНИЕ. Прочтите все предупреждения о технике безопасности и инструкции. Несоблюдение предупреждений и инструкций может привести к поражению электрическим током, возгоранию и / или серьезной травме.

Сохраните все предупреждения и инструкции для дальнейшего использования.

Термин "электроинструмент", используемый в тексте предупреждений, относится к электроинструменту с питанием от электросети (проводной) или электроинструменту с питанием от аккумулятора (беспроводной).

Безопасность рабочего места

- Рабочее место должно быть чистым и хорошо освещенным. В захламленных или темных местах вероятны несчастные случаи.
- Не используйте электроинструменты во взрывоопасных средах, например, в присутствии легковоспламеняющихся жидкостей, газов или пыли. Электроинструменты создают искры, которые могут стать причиной воспламенения пыли или паров.
- Во время работы электроинструмента не допускайте присутствия детей и других лиц. Отвлечение внимания может привести к потере контроля.

Рекомендации по электробезопасности

- Вилки электроинструмента должны соответствовать розетке. Никогда не вносите измене-

ния в конструкцию вилки. Не используйте адаптеры с заземленными электроинструментами. Вилки оригинальной конструкции и соответствующие розетки уменьшают риск поражения электрическим током.

- Избегайте контакта с заземленными поверхностями, такими как трубы, радиаторы, плиты и холодильники. Это повышает риск поражения электрическим током.
- Не подвергайте электроинструмент воздействию дождя или влаги. Попадание воды внутрь электроинструмента повышает риск поражения электрическим током.
- Не используйте токоведущий кабель в целях, для которых он не предназначен. Никогда не используйте кабель для переноски электроинструмента, подтягивания электроинструмента к себе, или для выключения электроинструмента рывком за токоведущий кабель. Оберегайте токоведущий кабель от нагревания, нефтепродуктов, острых кромок или движущихся частей электроинструмента. Поврежденный или спутанный токоведущий кабель увеличивает опасность поражения электрическим током.
- При работах на открытом воздухе, используйте удлинительные кабели, предназначенные для наружных работ, это снижает опасность поражения электрическим током.
- Если нельзя избежать работы электроинструмента на участке с повышенной влажностью, используйте устройство защитного отключения (УЗО). Использование УЗО снижает риск поражения электрическим током. ПРИМЕЧАНИЕ. термин "УЗО (RCD)" может быть заменен термином "устройство защитного отключения (GFCI)" или "автоматический выключатель с функцией защиты от тока утечки (ELCB)".
- Предупреждение! Никогда не прикасайтесь к открытым металлическим поверхностям редуктора, защитного кожуха и т.д., так как на металлических поверхностях воздействуют электромагнитные волны и касание к ним может привести к травме или несчастному случаю.

Рекомендации по личной безопасности.

- Будьте бдительными, следите за тем, что вы делаете, и при работе с электроинструментом руководствуйтесь здравым смыслом. Не используйте электроинструмент, если вы устали или находитесь под воздействием наркотических средств, алкоголя или лекарств. Ослабление внимания при работе с электроинструментом может привести к серьезной травме.
- Используйте средства индивидуальной защиты. Всегда надевайте защитные очки. Средства индивидуальной защиты, такие как пылезащитная маска, нескользящая защитная обувь, каска или средства защиты органов слуха, которые используются в соответствующих условиях, уменьшают вероятность получения травм.
- Не допускайте непреднамеренного запуска электроинструмента. Перед подключением к источнику питания и / или аккумулятору, поднятием или переносом электроинструмента убедитесь, что выключатель / выключатель находится в выключенном состоянии. Перемещение электроинструмента, когда палец находится на выключателе / выключателе, или включение питания

электроинструментов с включенным выключателем / выключателем может стать причиной несчастного случая.

- **Перед включением, необходимо убрать из вращающихся частей электроинструмента все дополнительные ключи и приспособления.** Ключ, оставленный во вращающейся части электроинструмента, может быть причиной серьезных травм.

- **Не предпринимайте чрезмерных усилий. Всегда сохраняйте устойчивое положение и равновесие.** Это позволяет лучше контролировать электроинструмент в непредвиденных ситуациях.

- **Носите соответствующую одежду. Не надевайте свободную одежду или украшения. Держите волосы, одежду и перчатки вдали от движущихся деталей.** Свободная одежда, украшения или длинные волосы могут быть захвачены подвижными частями электроинструмента, что станет причиной серьезных травм.

- **Если в конструкции электроинструмента предусмотрена возможность для подключения пылеулавливающих и пылесборных устройств, убедитесь, что они подключены и правильно используются.** Использование таких устройств уменьшает опасности, связанные с накоплением пыли.

- **Всегда будьте осторожны, не игнорируйте принципы безопасной работы с электроинструментом из-за знаний и опыта, полученных вследствие частого пользования электроинструментом.** Неосторожное действие может незамедлительно привести к серьезным травмам.

- **Предупреждение!** Во время работы электроинструменты могут создавать электромагнитное поле. При определенных обстоятельствах такое поле может создавать помехи активным или пассивным медицинским имплантатам. Чтобы снизить риск серьезной или смертельной травмы, перед использованием электроинструмента рекомендуем людям с медицинскими имплантатами проконсультироваться с врачом и изготовителем медицинского имплантата.

Использование и обслуживание электроинструмента

- Люди с недостаточными психофизическими или умственными способностями и дети не могут управлять электроинструментом, если человек, ответственный за их безопасность, не контролирует их или не инструктирует об использовании электроинструмента

- **Не перегружайте электроинструмент. Используйте электроинструмент, который соответствует вашей цели применения.** Соответствующий электроинструмент будет работать лучше и безопаснее с той производительностью, для которой он был спроектирован.

- **Не работайте электроинструментом с неисправным выключателем / выключателем.** Электроинструмент, включение / выключение которого, не может контролироваться представляет опасность и должен быть немедленно отремонтирован.

- **Перед выполнением каких-либо настроек, сменой принадлежностей или хранением электроинструментов - отсоедините вилку от источника питания и / или аккумулятор от электроин-**

струмента. Эти меры безопасности снижают риск случайного запуска электроинструмента.

- **Храните неиспользуемые электроинструменты в недоступном для детей месте и не разрешайте лицам, которые не ознакомились с электроинструментом или этими инструкциями, использовать электроинструмент.** Электроинструменты опасны в руках неподготовленных пользователей.

- **Следите за состоянием электроинструмента. Проверяйте осевое биение и надежность соединения подвижных деталей, а также любые неисправности, которые могут вывести электроинструмент из строя. Неисправный электроинструмент необходимо отремонтировать перед использованием.** Многие несчастные случаи возникают из-за плохого состояния электроинструмента.

- **Режущие инструменты должны содержаться в чистоте и быть хорошо заточенными.** Правильно установленные режущие инструменты с острыми режущими кромками уменьшают возможность заклинивания и облегчают управление электроинструментом.

- **Используйте электроинструмент, принадлежность, насадки и т.п. в соответствии с инструкциями, принимая во внимание условия работы и выполняемые работы.** Использование электроинструмента для операций, для которых он не предназначен, может привести к опасной ситуации.

- **Поддерживайте рукоятки и поверхности захвата сухими, чистыми и свободными от масла и смазки.** Скользкие рукоятки и поверхности захвата препятствуют безопасному обращению с электроинструментом и управлению им в неожиданных ситуациях.

- **Обратите внимание, что при работе с электроинструментом необходимо правильно держать вспомогательную рукоятку; выполнение этого требования облегчает управление электроинструментом.** Таким образом, правильное удержание электроинструмента может снизить риск несчастных случаев или травм.

Техническое обслуживание

- **Обслуживание Вашего электроинструмента должно производиться квалифицированными специалистами с использованием рекомендованных запасных частей.** Это дает гарантию, того что безопасность Вашего электроинструмента будет сохранена.

- **Соблюдайте инструкции по смазке, а также рекомендации по замене аксессуаров.**

Особые указания по технике безопасности

- **При ударном сверлении используйте средства защиты органов слуха.** При воздействии шума вероятна потеря слуха.

ПРИМЕЧАНИЕ: Предупреждение выше относится только к ударным дрелям и не является обязательным для выполнения при использовании дрелей других типов.

- **Используйте вспомогательную(ые) рукоятку(и), если она(они) поставляется(ются) вместе с электроинструментом.** Потеря контроля может привести к травме.

- При выполнении операций, при которых режущая принадлежность может задеть скрытую электропроводку или собственный кабель, держите электроинструмент только за рукоятки с изолированной поверхностью. Касание режущей принадлежностью провода под напряжением, может привести к появлению напряжения в металлических частях электроинструмента и стать причиной поражения оператора электрическим током.

Правила техники безопасности при эксплуатации электроинструмента

- Закрепите обрабатываемую заготовку. Для этого используйте фиксирующие устройства или тиски, это является более надежным, чем удержание обрабатываемой заготовки руками.
- Асбест является канцерогенным материалом, поэтому запрещается обрабатывать асбестосодержащие заготовки.
- Электроинструмент можно класть только после полной остановки его движущихся элементов. Установленная принадлежность может быть зажата во время работы, что приведет к потере управления электроинструментом.
- Запрещается использовать электроинструмент с поврежденным токоведущим кабелем. Если токоведущий кабель поврежден во время работы, не прикасайтесь к нему - сразу же извлеките вилку из розетки. Поврежденный токоведущий кабель повышают риск поражения электрическим током.
- При использовании электроинструмента на открытом воздухе, установите выключатель защиты от тока короткого замыкания (ТКЗ).
- Для определения положения скрытой электропроводки используйте подходящий детектор, либо получите эту информацию в соответствующих организациях. Повреждение сверлом скрытой электропроводки может привести к возгоранию и поражению электрическим током. Повреждение газовой трубы может стать причиной взрыва. Повреждение водопроводных труб может нанести материальный ущерб.
- В случае зажатия установленной принадлежности, отключите электроинструмент и сохраняйте спокойствие. В это время электроинструмент производит чрезвычайно сильный реактивный крутящий момент, что приводит к отдаче. Принадлежности могут быть зажаты, например, из-за чрезмерного усилия нажатия или перекоса принадлежности во время работы.
- При выполнении операций, при которых режущая принадлежность может задеть скрытую электропроводку или собственный кабель, держите электроинструмент только за рукоятки с изолированной поверхностью. Касание режущей принадлежностью провода под напряжением, может привести к появлению напряжения в металлических частях электроинструмента и стать причиной поражения оператора электрическим током.
- Во время работы крепко удерживайте электроинструмент руками и сохраняйте равновесие.
- При работе и использовании электроинструмента удерживайте включатель / выключатель на главной рукоятке.

- Избегайте остановки двигателя электроинструмента под нагрузкой.
- Запрещается удалять стружку, при включенном двигателе электроинструмента.
- При работе, следите за положением токоведущего кабеля. Не допускайте обматывания им ног или рук.
- Для более простой эксплуатации электроинструмента используйте только острые сверла без дефектов.
- Изменение конструкции сверл, а также использование съёмных насадок и приспособлений, не предусмотренных для данного электроинструмента, запрещается.
- При работе не оказывайте чрезмерного давления на электроинструмент это может привести к заклиниванию сверла, и перегрузке двигателя.
- Не допускайте заклинивания сверл в обрабатываемом материале. В случае, если это произошло, не пытайтесь высвободить их с помощью двигателя электроинструмента. Это может привести к выходу его из строя.
- Запрещается выбивать сверла, застрявшие в обрабатываемом материале, при помощи молотка или других предметов - отколовшиеся частицы металла могут нанести повреждения, как работающему, так и находящимся вблизи людям.
- Не допускайте перегрева электроинструмента при длительном использовании.

Символы, используемые в инструкции

В руководстве по эксплуатации используются нижеприведенные символы, запомните их значение. Правильная интерпретация символов поможет использовать электроинструмент правильно и безопасно.

Символ	Значение
	Электродрель - перфоратор Участки, обозначенные серым цветом мягкая накладка (с изолированной поверхностью).
	Наклейка с серийным номером: CT ... - модель; XX - дата производства; XXXXXXX - серийный номер.
	Ознакомьтесь со всеми указаниями по технике безопасности и инструкциями.
	Носите защитные очки.

Символ	Значение
	Носите защитные наушники.
	Носите пылезащитную маску.
	Отключайте электроинструмент от сети перед проведением монтажных и регулировочных работ.
	Опасность повреждения скрытой электропроводки или магистралей бытовых коммуникаций.
	Направление движения.
	Направление вращения.
	Заблокировано.
	Разблокировано.
	Запрещенное действие.
	Режим работы "Сверление".
	Сверление в плитке вести только в режиме сверления без удара.
	Двойная изоляция / класс защиты.
	Знак, удостоверяющий, что изделие соответствует основным требованиям директив ЕС и гармонизированным стандартам Европейского Союза.
	Внимание. Важная информация.

Символ	Значение
	Полезная информация.
	Носите защитные перчатки.
	Положение "Сверление" переключателя режимов работы.
	Положение "Сверление с ударом" переключателя режимов работы.
	Бесступенчатая регулировка скорости.
	Не выбрасывайте электроинструмент в бытовой мусор.

Назначение электроинструмента

Электродрели-перфораторы предназначены для сверления в стали, дереве, керамике, а также для сверления с ударом в кирпиче, бетоне и подобных материалах. Возможность регулировки скорости и наличие реверса позволяют использовать электроинструмент в качестве шуруповерта. В результате применения дополнительных принадлежностей и приспособлений, область применения электроинструмента расширяется. Имеется возможность стационарной установки электроинструмента (при использовании специальных принадлежностей).

Элементы устройства электроинструмента

- 1 Зубчатовенцовый сверлильный патрон
- 2 Ограничитель глубины *
- 3 Дополнительная ручка *
- 4 Переключатель "Удар / Сверление"
- 5 Вентиляционные отверстия
- 6 Переключатель реверса
- 7 Регулятор скорости
- 8 Фиксатор включателя / выключателя
- 9 Включатель / выключатель
- 10 Зажимной ключ *
- 11 Быстрозажимной патрон (с замком)
- 12 Винт
- 13 Отвертка-вставка *
- 14 Магнитный держатель *
- 15 Быстрозажимной патрон

* Принадлежности

Перечисленные, а также изображенные принадлежности, частично не входят в комплект поставки.

Монтаж и регулировка элементов электроинструмента

Перед проведением всех процедур электроинструмент обязательно отключить от сети.



Не затягивайте слишком сильно крепежные элементы, чтобы не повредить их резьбу.



Монтаж / демонтаж / настройка некоторых элементов аналогична для всех моделей электроинструментов, в этом случае на пояснительном рисунке конкретная модель не указывается.

Дополнительная ручка (см. рис. 1)

При работе всегда используйте дополнительную ручку 3. Дополнительная ручка 3 может быть установлена в удобное для пользователя положение.

- Ослабьте дополнительную ручку 3 как показано на рисунке 1.
- Установите дополнительную ручку 3 в желаемое положение.
- Затяните дополнительную ручку 3 как показано на рисунке 1.

Ограничитель глубины (см. рис. 2-3)

С помощью ограничителя глубины 2 выставляется желаемый размер глубины сверления (см. рис. 2).

- Ослабьте дополнительную ручку 3 как показано на рисунке 2.
- Передвиньте ограничитель глубины 2, установив желаемый размер глубины сверления (см. рис. 2).
- Затяните дополнительную ручку 3 как показано на рисунке 3.

Установка / замена принадлежностей



При длительном использовании сверло может сильно нагреться - извлекайте его, надев перчатки.

Зубчатовенцовый сверлильный патрон (см. рис. 4)

[СТ10128, СТ10129, СТ10130]

- Ослабьте зажим кулачков при помощи зажимного ключа 10, после чего вращайте рукой гильзу сверлильного патрона 1 в направлении, противоположном вращению часовой стрелки (см. рис. 4), до тех пор, пока кулачки не разойдутся на расстояние позволяющее установить / заменить принадлежность.
- Установите / замените принадлежность.
- Вращайте рукой гильзу сверлильного патрона 1 в направлении вращения часовой стрелки, чтобы за-

фиксировать установленную принадлежность. Не допускайте перекоса принадлежности.

• Затяните кулачки сверлильного патрона 1 с помощью зажимного ключа 10, прикладывая к нему одинаковый крутящий момент в каждом из трех отверстий на боковой поверхности патрона.

Быстрозажимной сверлильный патрон (с замком) (см. рис. 5)

[СТ10128С, СТ10129С]

- Переместите муфту в задней части быстрозажимного патрона (с замком) 11 назад, до щелчка (см. рис. 5).
- Разведите кулачки быстрозажимного патрона (с замком) 11 - удерживайте одной рукой его заднюю часть, а второй рукой вращайте его переднюю часть, как показано на рисунке 5.
- Установите / замените принадлежность.
- Не допуская перекоса принадлежности, затяните быстрозажимной патрон (с замком) 11, как показано на рисунке 5.
- Заблокируйте замок, для этого сместите муфту в задней части быстрозажимного сверлильного патрона (с замком) 11 вперед, до щелчка.

Быстрозажимной сверлильный патрон (см. рис. 6)

[СТ10130С]

- Разведите кулачки быстрозажимного патрона 15 - удерживайте одной рукой его заднюю часть, а второй рукой вращайте его переднюю часть, как показано на рисунке 6.
- Установите / замените принадлежность.
- Не допуская перекоса принадлежности, затяните быстрозажимной патрон 15, как показано на рисунке 6.

Монтаж / демонтаж сверлильного патрона (см. рис. 7-12)

- Для монтажа зубчатовенцового сверлильного патрона 1 последовательно произведите операции, показанные на рисунке 7.
- Для демонтажа зубчатовенцового сверлильного патрона 1 последовательно произведите операции, показанные на рисунке 8.
- Монтаж / демонтаж быстрозажимного сверлильного патрона (с замком) 11 производится аналогичным образом, см. рис. 9-10.
- Монтаж / демонтаж быстрозажимного сверлильного патрона 15 производится аналогичным образом, см. рис. 11-12.



Внимание: при монтаже / демонтаже сверлильного патрона учитывайте, что винт 12 имеет левую резьбу.

Отвертки-вставки и магнитный держатель (см. рис. 13)

При использовании электроинструмента в качестве шуруповерта, используйте магнитный держатель 14 для надежной фиксации отверток-вставок 13 (см. рис. 13). При использовании удлиненных отверток-

вставок **13** (предназначенных специально для шуруповертов) магнитный держатель **14** не требуется.

это позволяет плавно включать электроинструмент.

Ввод в эксплуатацию электроинструмента

Убедитесь в том, что имеющееся напряжение в сети соответствует данным, указанным на приборном щитке электроинструмента.

Включение / выключение электроинструмента

Кратковременное включение / выключение

Для включения нажмите включатель / выключатель **9**, для выключения - отпустите.

Включение на длительное время / выключение

Включение:

Нажмите включатель / выключатель **9** и зафиксируйте его положение фиксатором включателя / выключателя **8**.

Выключение:

Нажмите и отпустите включатель / выключатель **9**.

Конструктивные особенности электроинструмента

Переключатель "Удар / Сверление"

Переключатель **4** предназначен для включения следующих режимов работы электроинструмента:

- **сверление, закручивание, выкручивание** - сверление без удара в дереве, синтетических материалах, металле. Закручивание и выкручивание крепежных элементов;
- **сверление с ударом** - сверление с ударом в кирпиче, бетоне, природном камне.



Сверление, закручивание, выкручивание - для включения этого режима работы переместите переключатель **4** вправо до упора.



Сверление с ударом - для включения этого режима работы переместите переключатель **4** влево до упора.

Выбирать режим работы можно, не выключая электроинструмент, необходимо лишь несколько ослабить нажим на него.

Бесступенчатая регулировка скорости



Изменение оборотов от 0 до максимума, зависит от силы нажатия на включатель / выключатель **9**. Слабый нажим соответствует малому числу оборотов -

Регулятор скорости

При помощи регулятора скорости **7**, выставляется необходимое число оборотов, а также число ударов.

- Нажмите включатель / выключатель **9** и зафиксируйте его положение фиксатором включателя / выключателя **8**.
- Установите нужное количество оборотов.

Нужное число оборотов зависит от обрабатываемого материала, условий работы и может быть установлено практическим тестированием. При продолжительной работе на низких оборотах необходимо охладить электроинструмент, в течение 3 минут, для этого установите максимальное число оборотов и оставьте электроинструмент работать на холостом ходу.

Реверс



Изменяйте направление вращения только после полной остановки двигателя, в противном случае вы можете повредить электроинструмент.

Вращение вправо (сверление, вкручивание шурупов) - переключатель реверса **6** переместите вправо.

Вращение влево (выкручивание шурупов) - переключатель реверса **6** переместите влево.

Рекомендации при работе электроинструментом

Сверление (см. рис. 14-17)

- При сверлении отверстий в металлах периодически смазывайте сверло (исключая сверление в цветных металлах и их сплавах).
 - При сверлении твердых металлов сильнее нажимайте на электроинструмент и понижайте число оборотов.
 - При сверлении в металле отверстия большого диаметра сначала просверлите отверстие меньшего диаметра, после чего рассверлите его до требуемого диаметра (см. рис. 14).
 - При сверлении отверстий в древесине для предотвращения расщепления поверхности в месте выхода сверла выполните действия, показанные на рисунке 14.
 - Чтобы уменьшить пылеобразование при сверлении отверстий в стенах и потолках, примите меры, показанные на рис. 15-16.
 - При сверлении отверстий в глазурованной керамической плитке для повышения точности центровки сверла и сохранения глазури рекомендуется наклеить на предполагаемый центр отверстия липкую ленту и после этого произвести сверление (см. рис. 17). Начинайте сверлить на малой скорости, увеличивая ее по мере углубления отверстия.
- Внимание: сверление в плитке вести только в режиме сверления без удара.**

Сверление с ударом

Результат, при ударном сверлении, не зависит от силы нажима на электроинструмент, это обусловлено особенностью конструкции ударного механизма. Поэтому не оказывайте чрезмерного давления на электроинструмент - это может привести к заклиниванию сверла, и перегрузке двигателя.

Вкручивание шурупов (см. рис. 18)

- Для облегчения вкручивания шурупа и предотвращения появления трещин в заготовке предварительно просверлите отверстие диаметр которого составляет 2/3 от диаметра шурупа.
- Если вы соединяете заготовки при помощи шурупов, для того чтобы получить надежное соединение, без возникновения в заготовках трещин, сколов или расслоений, выполните действия, показанные на рисунке 18.

Обслуживание / профилактика электроинструмента

Перед проведением всех процедур электроинструмент обязательно отключить от сети.

Чистка электроинструмента

Обязательным условием для долгосрочной и безопасной эксплуатации электроинструмента является содержание его в чистоте. Регулярно продувайте электроинструмент сжатым воздухом через вентиляционные отверстия 5.

Послепродажное обслуживание

Ответы на вопросы по ремонту и обслуживанию вашего продукта вы можете получить в сервисных центрах. Информацию о сервисных центрах, схемы запчастей и информацию по запчастям Вы можете найти по адресу: www.crown-tools.com.

Транспортировка электроинструментов

- Не допускайте падения упаковки, а также любые механические воздействия на нее при транспортировке.
- При погрузке / разгрузке не используйте погрузочную технику, работающую по принципу зажима упаковки.

Защита окружающей среды



Вторичное использование сырья вместо устранения мусора!

Электроинструмент, дополнительные принадлежности и упаковку следует экологически чисто утилизировать.

В интересах чистосортной рециркуляции отходов детали из синтетических материалов соответственно обозначены.

Настоящее руководство по эксплуатации напечатано на бумаге, изготовленной из вторсырья без применения хлора.

Технічні характеристики електроінструменту

Електродріль-перфоратор	СТ10128	СТ10128С	СТ10129	СТ10129С	СТ10130	СТ10130С
Код електроінструмента	[220-230 V ~50/60 Hz]	420152	420169	420176	420183	420206
Номінальна потужність	[Вт]	600	600	750	750	810
Вихідна потужність	[Вт]	305	305	398	398	430
Сила току при нарузі	110-127 В [А] 220-230 В [А]	5 2.8	5 2.8	6.3 3.5	6.3 3.5	6.5 3.9
Частота обертання холостого ходу	[хв ⁻¹]	0-2800	0-2800	0-2800	0-2800	0-2800
Діапазон затиску свердловального патрона	[мм] [дюйми]	1,5-13 1/16"-33/64"	2-13 5/64"-33/64"	1,5-13 1/16"-33/64"	2-13 5/64"-33/64"	1,5-13 1/16"-33/64"
Максимальний Ø свердління:						
- бетон	[мм] [дюйми]	13 33/64"	13 33/64"	16 5/8"	16 5/8"	16 5/8"
- сталь	[мм] [дюйми]	13 33/64"	13 33/64"	13 33/64"	13 33/64"	13 33/64"
- дерево	[мм] [дюйми]	20 25/32"	20 25/32"	30 1-3/16"	30 1-3/16"	30 1-3/16"
Вага	[кг] [фунти]	1,7 3,75	1,7 3,75	1,9 4,19	1,9 4,19	2,2 4,85
Клас захисту	□ / II	□ / II	□ / II	□ / II	□ / II	□ / II
Рівень шуму	[дВ(А)]	91,96	91,96	92,38	92,38	87,22
Акустична потужність	[дВ(А)]	102,96	102,96	103,38	103,38	98,22
Рівень вібрації	[м/с ²]	12,08	12,08	14,38	14,38	12,41

Інформація про шум



Завжди використовуйте звукоізоляційні навушники при рівні шуму понад 85 dB(A).



Відповідності необхідним нормам

Ми заявляємо під нашу одноособову відповідальність, що описаний у розділі "Технічні характеристики електроінструменту" продукт відповідає усім відповідним положенням Директив 2006/42/ЕС, включаючи їх зміни, а також наступним нормам: EN 60745-1, EN 60745-2-1.

Менеджер із сертифікації

Wu Cunzhen

Merit Link International AG
Stabio, Швейцарія, 05.10.2017



ПОПЕРЕДЖЕННЯ. Щоб знизити ризик отримання травм, користувач повинен ознайомитися з керівництвом по експлуатації!

Загальні правила техніки безпеки



ПОПЕРЕДЖЕННЯ. Прочитайте всі попередження з техніки безпеки та інструкції. Недотримання попереджень та інструкцій може призвести до ураження електричним струмом, займання і / або серйозних травм.

Збережіть всі попередження та інструкції для подальшого використання.

Термін "електроінструмент", який використовується в тексті попереджень, відноситься до електроінструменту з живленням від електромережі (провідний) або електроінструменту з живленням від акумулятора (бездротовий).

Безпека робочого місця

- Робоче місце повинно бути чистим і добре освітленим. У захирачених або темних місцях вірогідні нещасні випадки.
- Не використовуйте електроінструменти у вибухонебезпечних середовищах, наприклад, в присутності легкозаймистих рідин, газів або пилу. Електроінструменти створюють іскри, які можуть призвести до займання пилу або парів.
- Під час роботи електроінструмента не допускайте присутності дітей та інших осіб. Відволікання уваги може призвести до втрати контролю.

Рекомендації з електробезпеки

- Вилки електроінструменту повинні підходити до розетки. Ніколи не вносьте зміни в конструкцію вилки. Не використовуйте адаптери з зазем-

леними електроінструментами. Вилки оригінальної конструкції і відповідні розетки зменшують ризик ураження електричним струмом.

- Уникайте контакту з заземленими поверхнями, такими як труби, радіатори, плити та холодильники. Це підвищує ризик ураження електричним струмом.

- Не піддавайте електроінструмент впливу дощової води або вологи. Попадання води в середню електроінструмента підвищує ризик ураження електричним струмом.

- Не використовуйте електричний кабель в цілях, для яких він не призначений. Ніколи не використовуйте кабель для перенесення електроінструменту, підтягання електроінструменту до себе або для вимкнення електроінструменту ривком за електричний кабель. Оберігайте електричний кабель від нагрівання, нафтопродуктів, гострих крайок або рухомих частин електроінструменту. Пошкоджений або спутаний електричний кабель збільшує небезпеку поразки електричним струмом.

- При роботах на відкритому повітрі, використовуйте подовжувальні кабелі, призначені для зовнішніх робіт, це знизить небезпеку ураження електричним струмом.

- Якщо не можна уникнути роботи електроінструмента на ділянці з підвищеною вологістю, використовуйте пристрій захисного відключення (УЗО). Використання УЗО знижує ризик ураження електричним струмом. ПРИМІТКА: термін "УЗО (RCD)" може бути замінений терміном "пристрій захисного відключення (GFCI)" або "автоматичний вимикач з функцією захисту від струму витoku (ELCB)".

- **Увага!** Ніколи не торкайтеся до відкритих металевих поверхонь редуктора, захисного кожуха і т.д., оскільки на металеві поверхні впливають електромагнітні хвилі і торкання до них може призвести до травми або нещасного випадку.

Рекомендації з особистої безпеки.

- Будьте пильними, стежте за тим, що ви робите, і при роботі з електроінструментом керуйтеся здоровим глуздом. Не використовуйте електроінструмент, якщо ви втомилися або перебуваєте під впливом наркотичних засобів, алкоголю або ліків. Ослаблення уваги при роботі з електроінструментом може призвести до серйозної травми.

- Використовуйте засоби індивідуального захисту. Завжди надівайте захисні окуляри. Засоби індивідуального захисту, такі як пілозахисна маска, нековзне захисне взуття, каска або засоби захисту органів слуху, які використовуються у відповідних умовах, зменшують ймовірність отримання травм.

- Не допускайте ненавмисного запуску електроінструменту. Перед підключенням до джерела живлення та / або акумулятора, підняттям або перенесенням електроінструменту переконайтеся, що вмикач / вимикач знаходиться у вимкненому стані. Переміщення електроінструменту, коли палець знаходиться на вмикачі / вимикачі, або вимкнення живлення електроінструментів з включеним вмикачем / вимикачем може стати причиною нещасного випадку.

- Перед ввімкненням необхідно прибрати з частин електроінструменту, що обертаються, всі додаткові ключі і пристосування. Ключ, залишений в частині електроінструменту, що обертається, може бути причиною серйозних травм.
- **Не докладайте надмірних зусиль. Завжди зберігайте стійке положення і рівновагу.** Це дозволяє краще контролювати електроінструмент у непередбачуваних ситуаціях.
- **Носіть відповідний одяг. Не вдягайте вільний одяг або прикраси. Тримайте волосся, одяг і рукавиці далеко від рухомих деталей.** Вільний одяг, прикраси або довге волосся можуть бути захоплені рухомими частинами електроінструменту, що стане причиною серйозних травм.
- **Якщо в конструкції електроінструменту передбачена можливість для підключення пилословлюючих і пилосбірних пристроїв, переконайтеся, що вони підключені і правильно використовуються.** Використання таких пристроїв зменшує небезпеку, пов'язані з накопиченням пилу.
- **Завжди будьте уважні, не ігноруйте принципи безпечної роботи з електроінструментом через знання і досвід, отримані внаслідок частого користування електроінструментом.** Необережна дія може негайно призвести до серйозних травм.
- **Увага!** Електроінструмент створює під час роботи електромагнітне поле. За деяких обставин, це поле може чинити негативний вплив на активні або пасивні медичні імплантати. Щоб зменшити ризик заповідняння серйозної шкоди здоров'ю або травми з летальним наслідком, людям з медичними імплантатами, перед початком експлуатації електроінструмента, рекомендується проконсультуватися з лікарем і виробником медичного імплантату.

Використовування і обслуговування електроінструмента

- Люди з недостатніми психофізичними або розумовими здібностями і діти не можуть управляти електроінструментом, якщо людина, яка відповідає за їх безпеку, не контролює їх чи не інструктує щодо використання електроінструменту.
- **Не переважуйте електроінструмент. Використовуйте електроінструмент, який відповідає вашій цілі використання.** Відповідний електроінструмент буде працювати краще і безпечніше з тією продуктивністю, для якої він був спроектований.
- **Не працюйте електроінструментом з несправним вмикачем / вимикачем.** Електроінструмент, ввімкнення / вимкнення якого не може контролюватися, становить небезпеку і повинен бути негайно відремонтований.
- **Перед виконанням будь-яких налаштувань, заміною приладдя або зберіганням електроінструментів - від'єднайте вилку від джерела живлення і / або акумулятор від електроінструменту.** Ці заходи безпеки знижують ризик випадкового запуску електроінструмента.
- **Зберігайте невикористовувані електроінструменти в недоступному для дітей місці і не дозволяйте особам, які не ознайомились з електроінструментом або цими інструкціями, використовувати електроінструмент.** Електроінструменти небезпечні в руках не підготовлених користувачів.
- **Слідуйте за станом електроінструменту. Перевіряйте осьове биття і надійність з'єднання**

рухомих деталей, а також будь-які несправності, які можуть вивести електроінструмент з ладу. Несправний електроінструмент необхідно відремонтувати перед використанням. Багато нещасних випадків виникають через поганий стан електроінструменту.

- **Ріжучі інструменти повинні знаходитися в чистоті і бути добре заточеними.** Правильно встановлені ріжучі інструменти з гострими ріжучими кромками зменшують можливість заклинювання і полегшують управління електроінструментом.
- **Використовуйте електроінструмент, приладдя, насадки і т.п. відповідно до інструкцій, беручи до уваги умови роботи і виконувати роботи.** Використання електроінструмента для операцій, для яких він не призначений, може призвести до небезпечної ситуації.
- **Підтримуйте рукоятки і поверхні захоплення сухими, чистими і вільними від масла і мастила.** Слизькі рукоятки і поверхні захоплення перешкоджають безпечному поводженню з електроінструментом і управління ним в несподіваних ситуаціях.
- **Зверніть увагу, що при роботі з електроінструментом необхідно правильно тримати допоміжну рукоятку; виконання цієї вимоги полегшує управління електроінструментом.** Таким чином, правильне утримання електроінструменту може знизити ризик нещасних випадків або травм.

Технічне обслуговування

- **Обслуговувати Ваш електроінструмент повинні кваліфіковані фахівці з використанням рекомендованих запасних частин.** Це дає гарантію, що безпека Вашого електроінструменту буде збережена.
- **Дотримуйтесь інструкції по змащуванню, а також рекомендації по заміні аксесуарів.**

Особливі вказівки з техніки безпеки

- **Під час експлуатації ударних дрилів використовуйте засоби для захисту органів слуху.** Шум може призвести до втрати слуху.
- **Увага!** Попередження вище стосується лише ударних дрилів та може не братися до уваги під час використання дрилів інших типів.
- **У разі наявності використовуйте допоміжну рукоятку(-и).** Втрата контролю над приладом може призвести до травми.
- **Тримайте електроінструмент за ізольовані поверхні захвату під час робіт, коли ріжучий механізм може контактувати з прихованою електропроводкою або власним шнуром.** Контакт ріжучого механізму з проводом під напругою може призвести до появи напруги в незахищених металевих частинах електроінструменту та ураження оператора електричним струмом.

Правила техніки безпеки при експлуатації електроінструмента

- **Оброблювана деталь має бути закріпленою.** Для закріплення оброблюваної деталі використовуйте

фіксовані пристрої або тиски. Це безпечніше, ніж тримати оброблювальну деталь руками.

- Беручи до уваги, що азбест може призвести до захворювання на рак, матеріали, які містять азбест, не повинні оброблятися.

- Електроінструмент можна класти лише після повної зупинки його деталей. Під час роботи можливе защемлення комплектуючої деталі на електроінструменті. Це може ускладнити контроль над електроінструментом.

- Не можна використовувати електроінструмент із пошкодженими дротами живлення. У разі пошкодження дротів блоку живлення під час роботи не торкайтеся їх та негайно висмикніть штепсельну вилку з розетки. Пошкоджені дроти живлення підвищують ризик ураження електричним струмом.

- У разі використання електроінструменту на відкритому повітрі, встановіть на ньому перемикач для захисту від струму короткого замикання (струм КЗ).

- Для виявлення розташування прихованих дротів живлення використовуйте відповідний детектор. Ви також можете отримати необхідну інформацію в місцевому відділі служби електропостачання. Пошкодження дротів живлення призведе до пожежі та ураження електричним струмом. Пошкодження газової труби призведе до вибуху. Пробій водопровідних труб призведе до пошкодження майна.

- У випадку защемлення комплектуючої деталі на електроінструменті вимкніть електроприлад і не робіть більше ніяких дій. В цей час електроінструмент генерує надвисокий обертальний момент, що призводить до зворотного ходу. Защемлення комплектуючої деталі на електроінструменті можливе, наприклад, у таких випадках: гіперзаряд електроінструменту або зміщення комплектуючої деталі під час роботи.

- Якщо приховані дроти живлення або електропроводка самого електроінструменту можуть бути перерізані під час експлуатації електроінструменту, тримайте його за ізольовану рукоятку. Якщо електроінструмент торкнеться дроту під напругою, металеві деталі електроінструменту почнуть проводити електричний струм, що призведе до ураження оператора електричним струмом.

- Під час роботи міцно тримайте електроінструмент та займіть стійке положення. Тримайте електроінструмент руками.

- Під час експлуатації електроінструменту ви можете його тримати лише за головну рукоятку, а не за інші деталі.

- Уникайте вимкнення навантаженого двигуна електроінструменту.

- Ніколи не виймайте осколки та уламки при ввімкненому двигуні електроінструменту.

- Під час роботи слідкуйте за розташуванням кабелю живлення. Слідкуйте, щоб він не обмотувався довкола ваших ніг чи рук.

- Використовуйте лише гострі свердла без дефектів - це полегшить роботу з електроінструментом.

- Внесення змін до конструкції свердел та використання змінних насадок та комплектуючих деталей, які не передбачені для цього електроінструменту, суворо заборонено.

- Під час роботи з електроінструментом не створюйте надмірний тиск - це може призвести до затиснення свердла та перевантажити двигун.

- Уникайте затиснення свердла в оброблюваному матеріалі. Якщо це сталося, не намагайтеся вийняти його за допомогою двигуна електроінструменту. Це може вивести електроінструмент з ладу.

- Вибивати затиснуте в оброблюваному матеріалі свердло за допомогою молотка та інших предметів суворо заборонено. Металеві уламки можуть поранити як оператора, так і оточуючих людей.


- Уникайте перегрівання електроінструменту під час його використання впродовж тривалого часу.

Символи, що використовуються в інструкції

В інструкції використовуються нижченаведені символи, запам'ятайте їх значення. Правильна інтерпретація символів допоможе використовувати електроінструмент правильно і безпечно.

Символ	Значення
	Електродріль-перфратор Ділянки, які позначені сірим кольором, м'яка накладка (з ізольованою поверхнею).
	Наклейка з серійним номером: CT ... - модель; XX - дата виробництва; XXXXXXX - серійний номер.
	Ознайомтесь з усіма вказівками з техніки безпеки та інструкціями.
	Носіть захисні навушники.
	Носіть захисні окуляри.
	Носіть пилозахисну маску.
	Відключайте прилад від мережі перед проведенням монтажних і регулювальних робіт.
	Небезпека пошкодження прихованої електропроводки або магістралей побутових комунікацій.

Символ	Значення
	Напрямок руху.
	Напрямок обертання.
	Заблоковано.
	Розблоковано.
	Заборонена дія.
	Режим роботи "Свердління".
	Свердління в плитці весті тільки в режимі свердління без удару.
	Подвійна ізоляція / клас захисту.
	Знак, який засвідчує, що виріб відповідає основним вимогам директив ЄС та гармонізованим стандартам Європейського Союзу.
	Увага. Важлива інформація.
	Корисна інформація.
	Носіть захисні рукавиці.
	Положення "Свердління" перемикача режимів роботи.
	Положення "Свердління з ударом" перемикача режимів роботи.
	Плавне регулювання швидкості.

Символ	Значення
	Не викидайте електроінструмент в побутове сміття.

Призначення електроінструменту

Електродрілі-перфоратори призначені для свердління в сталі, дереві, кераміці, а також для свердління з ударом в цеглині, бетоні і подібних матеріалах. Можливість регулювання швидкості і наявність реверсу дозволяють використовувати електроінструмент як шуруповерт.

У результаті застосування додаткових приладів і засобів, область застосування інструмента поширюється.

Є можливість стаціонарної установки інструменту (при використанні спеціального приладдя).

Елементи пристрою електроінструменту

- 1 Зубчастовінцевий свердлильний патрон
- 2 Обмежник глибини *
- 3 Додаткова ручка *
- 4 Перемикач "удар / свердління"
- 5 Вентиляційні отвори
- 6 Перемикач реверса
- 7 Регулятор швидкості
- 8 Фіксатор вмикача / вимикача
- 9 Вмикач / вимикач
- 10 Затискний ключ *
- 11 Швидкозатискний патрон (з замком)
- 12 Гвинт
- 13 Викрутка-вставка *
- 14 Магнітний утримувач *
- 15 Швидкозатискний свердлувальний патрон

* Приналежності

Перераховані, а також зображені принадлежности, частково не входять у комплект поставання.

Монтаж та регулювання елементів електроінструменту

Перед проведенням усіх процедур електроінструмент обов'язково відключити від мережі.



Не затягуйте дуже сильно кріпильні елементи, щоб не пошкодити їх різблення.



Монтаж / демонтаж / налаштування деяких елементів аналогічне для усіх моделей електроінструментів, в цьому випадку на малюнку пояснення конкретна модель не вказується.

Додаткова ручка (див. мал. 1)

При роботі завжди використовуйте додаткову ручку **3**. Додаткова ручка **3** може бути встановлена в зручне для користувача положення.

- Ослабте додаткову ручку **3** як показано на малюнку 1.
- Встановіть додаткову ручку **3** в бажане положення.
- Затягніть додаткову ручку **3** як показано на малюнку 1.

Обмежник глибини (див. мал. 2-3)

За допомогою обмежувача глибини **2** виставляється бажаний розмір глибини свердлення (див. мал. 2).

- Ослабте додаткову ручку **3** як показано на малюнку 2.
- Пересуньте обмежувач глибини **2**, встановивши бажаний розмір глибини свердлення (див. мал. 2).
- Затягніть додаткову ручку **3** як показано на малюнку 3.

Установка / заміна приладдя



При тривалому використанні свердло може сильно нагрітися - витягуйте його, надівши рукавички.

Зубчастовінецьовий свердлильний патрон (див. мал. 4)

[СТ10128, СТ10129, СТ10130]

- Ослабте затиск кулачків за допомогою затискного ключа **10**, після чого обертайте рукою гільзу зубчастовінецьового свердлувального патрона **1** в напрямі, протилежному обертанню годинникової стрілки (див. мал. 4), до тих пір, поки курульки не розійдуться на відстань що дозволяє встановити / замінити приналежність.
- Встановіть / замінити приналежність.
- Обертайте рукою гільзу зубчастовінецьового свердлувального патрона **1** у напрямі обертання годинникової стрілки, щоб зафіксувати встановлену приналежність. Не допускайте перекоосу приналежності.
- Затягніть кулачки зубчастовінецьового свердлувального патрона **1** за допомогою затискного ключа **10**, прикладаючи до нього що однаковий крутить момент в кожному з трьох отворів на бічній поверхні патрона.

Швидкозатискний патрон (з замком) (див. мал. 5)

[СТ10128С, СТ10129С]

- Перемістіть муфту в задній частині швидкозатискного патрона (із замком) **11** назад, до клацання (див. мал. 5).
- Розведіть кулачки швидкозатискного патрона (із замком) **11** - утримуйте однією рукою його задню частину, а другою рукою обертайте його передню частину, як показано на малюнку 5.
- Встановіть / замініть приналежність.
- Не допускаючи перекоосу приналежності, затягніть швидкозатискний патрон (з замком) **11**, як показано на малюнку 5.

- Заблокуйте замок, для цього змістіте муфту в задній частині швидкозатискного патрона (із замком) **11** вперед, до клацання.

Швидкозатискний свердлувальний патрон (див. мал. 6)

[СТ10130С]

- Розведіть кулачки швидкозатискного патрона **15** - утримуйте однією рукою його задню частину, а другою рукою обертайте його передню частину, як показано на малюнку 6.
- Встановіть / замініть приналежність.
- Не допускаючи перекоосу приналежності, затягніть швидкозатискний патрон **15**, як показано на малюнку 6.

Монтаж / демонтаж свердлувального патрона (див. мал. 7-12)

- Для монтажу зубчастовінецьового свердлувального патрона **1** послідовно проведіть операції, показані на малюнку 7.
- Для демонтажу зубчастовінецьового свердлувального патрона **1** послідовно проведіть операції, показані на малюнку 8.
- Монтаж / демонтаж швидкозатискного патрона (із замком) **11** проводиться аналогічним чином, див. мал. 9-10.
- Монтаж / демонтаж швидкозатискного патрону **15** проводиться аналогічним чином, див. мал. 11-12.



Увага: при монтажі / демонтажі свердлувального патрона враховуйте, що гвинт **12** має ліве різьблення.

Викрутка-вставка / магнітний утримувач (див. мал. 13)

При використанні електроінструменту як шурупверта, використовуйте магнітний утримувач **14** для надійної фіксації викруток-вставок **13** (див. мал. 13). При використанні подовжених викруток-вставок **13** (призначених спеціально для шурупвертів) магнітний утримувач **14** не потрібно.

Введення у експлуатацію електроінструмента

Переконаєтесь в тім, що наявна напруга в мережі відповідає даним, зазначеним на приладовому щитку електроінструмента.

Вмикання / вимикання електроінструмента

Короткочасне включення / виключення

Для включення натисніть вмикач / вимикач **9**, для виключення - відпустите.

Включення на тривалий час / виключення

Уклюдити:

Вмикач / вимикач **9** натисніть і зафіксуйте його положення фіксатором вмикача / вимикача **8**.

Виключити:

Вмикач / вимикач **9** натисніть і відпустіть.

Обертання вліво (викручування шурупів) - перемикач реверсу **6** перемістіть вліво.

Конструктивні особливості електроінструменту

Перемикач "удар / свердлення"

Перемикач **4** призначений для включення наступних режимів роботи електроінструменту:

- **свердлення, закручування, викручування** - свердлення без удару в дереві, синтетичних матеріалах, металі. Закручування і викручування кріпильних елементів;
- **свердлення з ударом** - свердлення з ударом в цеглині, бетоні, природному камені.



Свердлення, закручування, викручування:

Для включення цього режиму роботи перемикач **4** управо до упору.



Свердлення з ударом:

Для включення цього режиму роботи перемикач **4** вліво до упору.

Вибирати режим роботи можна, не вимикаючи електроінструмент, необхідно лише дещо ослабити натиск на нього.

Безступінчатє регулювання швидкості



Зміна оборотів від 0 до максимуму, залежить від сили натиснення на вмикач / вимикач **9**. Слабкий натиск відповідає малому числу оборотів, що дозволяє плавно включати електроінструмент.

Регулятор швидкості

За допомогою регулятора швидкості **7**, виставляється необхідне число оборотів, а також число ударів.

- Вмикач / вимикач **9** натисніть і зафіксуйте його положення фіксатором вмикача / вимикача **8**.
- Установити потрібну кількість оборотів.

Потрібна кількість оборотів вибирається в залежності від оброблюваного Вами матеріалу.

При тривалій роботі на низьких оборотах необхідно охолодити електроінструмент, протягом 3 хвилин, для цього установити максимальне число оборотів і залишити електроінструмент працювати на ненавантаженому ході.

Реверс



Змінійте напрям обертання тільки після повної зупинки двигуна, інакше ви можете пошкодити електроінструмент.

Обертання вправо (свердлення, укручування шурупів) - перемикач реверсу **6** перемістіть вправо.

Рекомендації при роботі електроінструментом

Свердління (див. мал. 14-17)

- При свердленні отворів в металах періодично змащуйте свердло (виключаючи свердлення в кольорових металах і їх сплавах).
- При свердленні твердих металів сильніше натискайте на електроінструмент і знизуйте число оборотів.
- При свердленні в металі отвору великого діаметру спочатку просвердлите отвір меншого діаметру, після чого розсвердлите його до необхідного діаметру (див. мал. 14).
- При свердленні отворів в деревині для запобігання розщеплюванню поверхні в місці виходу свердла виконаєте дії, показані на малюнку 14.
- Щоб зменшити пилообразованіє при свердленні отворів в стінах і стелях, прийміть заходи, показані на мал. 15-16.
- При свердленні отворів в глазурированной керамічній плитці для підвищення точності центрування свердла і збереження глазури рекомендується наклеїти на передбачуваний центр отвору липку стрічку і після цього робити свердлення (див. мал. 17). Починайте свердлити на малій швидкості, збільшуючи її у міру поглиблення отвору. **Увага: свердлення в плитці вести тільки в режимі свердлення без удару.**

Свердлення з ударом

Результат, при ударному свердленні, не залежить від сили натиску на електроінструмент, це обумовлено особливістю конструкції ударного механізму. Тому не чиніть надмірного тиску на електроінструмент - це може привести до заклинювання свердла, і перевантаження двигуна.

Укручування шурупів (див. мал. 18)

- Для полегшення укручування шурупа і запобігання появи тріщин в заготівці заздалегідь просвердлите отвір діаметр якого складає 2/3 від діаметру шурупа.
- Якщо ви сполучаєте заготовки за допомогою шурупів, для того, щоб отримати надійне з'єднання, без виникнення в заготовках тріщин, сколовши або розшарування, виконаєте дії, показані на малюнку 18.

Обслуговування / профілактика електроінструмента

Перед проведенням усіх процедур електроінструмент обов'язково відключити від мережі.

Чищення електроінструменту

Обов'язковою умовою для довгострокової і безпечної експлуатації електроінструменту є вміст його в чистоті. Регулярно продувайте електроінструмент стислим повітрям через вентиляційні отвори 5.

Післяпродажне обслуговування

Відповіді на питання щодо ремонту та обслуговування вашого продукту Ви можете отримати в сервісних центрах. Інформацію про сервісні центри, схеми запчастин та інформацію по запчастинах Ви можете знайти за адресою: www.crown-tools.com.

Транспортування електроінструменту

- Не допускайте падіння упаковки, а також будь-якого механічного впливу на неї транспортуванні.
- При завантаженні / розвантаженні не використовуйте навантажувальну техніку що працює за принципом затиску упаковки.

Захист навколишнього середовища



Переробка сировини замість утилізації відходів.

Електроінструмент, додаткові принадлежности й упакування варто екологічно чисто утилізувати.

В інтересах чистосортної рециркуляції відходів деталі із синтетичних матеріалів відповідно позначені.

Дійсний посібник з експлуатації надрукований на папері, виготовленій з вторсировини без застосування хлору.

Обмовляється можливість внесення змін.

Українська

Қозғалтқыш құралдың сипаттамалары

Пневматикалық бұрғы	СТ10128	СТ10128С	СТ10129	СТ10129С	СТ10130	СТ10130С
Қозғалтқыш құралдың коды	[220-230 В ~50/60 Гц]	420152	420169	420176	420183	420206
Номиналды қуаты	[Вт]	600	600	750	750	810
Қажетті қуат	[Вт]	305	305	398	398	430
Электр тогы кернеуі	110-127 В [А] 220-230 В [А]	5 2.8	5 2.8	6.3 3.5	6.3 3.5	6.5 3.9
Жүктемесіз жылдамдық	[мин ⁻¹]	0-2800	0-2800	0-2800	0-2800	0-2800
Тарту патронының қысу қарқыны	[мм] [дюйм]	1,5-13 1/16"-33/64"	2-13 5/64"-33/64"	1,5-13 1/16"-33/64"	2-13 5/64"-33/64"	1,5-13 1/16"-33/64"
Бұғылау күші:						
- бетон	[мм] [дюйм]	13 33/64"	13 33/64"	16 5/8"	16 5/8"	16 5/8"
- болат	[мм] [дюйм]	13 33/64"	13 33/64"	13 33/64"	13 33/64"	13 33/64"
- ағаш	[мм] [дюйм]	20 25/32"	20 25/32"	30 1-3/16"	30 1-3/16"	30 1-3/16"
Салмағы	[кг] [фунт]	1,7 3,75	1,7 3,75	1,9 4,19	1,9 4,19	2,2 4,85
Қауіпсіздік класы	□ / II	□ / II	□ / II	□ / II	□ / II	□ / II
Дыбыс қысымы	[дБ(А)]	91,96	91,96	92,38	92,38	87,22
Акустикалық күші	[дБ(А)]	102,96	102,96	103,38	103,38	98,22
Өлшенетін тербеліс	[m/s ²]	12,08	12,08	14,38	14,38	12,41

Шу туралы ақпарат



Дыбыс қысымы осетін болса,
әрдайым құлақ қорғаушысын
киіңіз 85 дБ(А).

Сәйкестік жөнінде мәлімдеме

Жеке жауапкершілікпен біз "Қозғалтқыш құралдың сипаттамалары" де сипатталған өміміңіз 2006/42/ЕС ережелеріндегі барлық тиісті анықтамаларына өзгерістері менен бірге сәйкес екенін және төмендегі нормаларға сай екенін кепілдендіреміз: EN 60745-1, EN 60745-2-1.

Сертификаттау
менеджері

Wu Cunzhen

Merit Link International AG
Stabio, Швейцария, 05.10.2017



ЕСКЕРТУ - Жарақат қаупін азайту үшін пайдаланушы пайдалану нұсқаулығын оқып шығуы керек!

Жалпы қауіпсіздік ережелері



ЕСКЕРТУ! Барлық қауіпсіздік туралы ескертулерді және барлық нұсқауларды оқып шығыңыз. Ескертулер мен нұсқауларды орындамау тоқ соғуына, өртке және / немесе ауыр жарақатқа әкелуі мүмкін.

Барлық ескертулер мен нұсқауларды болашақта анықтама алу үшін сақтап қойыңыз.

Ескертулердегі "электр құрал" термині желіден жұмыс істейтін (сымды) электр құралын немесе батареядан жұмыс істейтін (сымсыз) электр құралын білдіреді.

Жұмыс аумағының қауіпсіздігі

- Жұмыс аумағын таза және жақсы жарықтандырылған күйде ұстаңыз. Ретсіз немесе күңгірт аумақтар сәтсіз жағдайларға әкеледі.
- **Электр құралдарды жарылғыш атмосфераларда пайдаланбаңыз, мысалы, тұтанғыш сұйықтықтар, газдар немесе шаң бар жерде.** Электр құралдар шаңды немесе түтіндерді тұтандыруы мүмкін ұшқындарды тудырады.
- **Электр құралды пайдалану кезінде балаларды және маңайдағы адамдарды аулақ ұстаңыз.** Алаңдату басқаруды жоғалтуға әкелуі мүмкін.

Электр қауіпсіздігі

- **Электр құралдардың ашалары розеткаға сәйкес болуы керек.** Ашаны өшқашан ешбір түрде өзгертуге болмайды. Жерге қосылған электр құралдарымен бірге ешбір адаптер ашасын пайдалануға болмайды. Өзгертілмеген ашалар және сәйкес розеткалар тоқ соғу қаупін азайтады.
- **Құбырлар, жылытқыштар, ауқымдар және тоңазытқыштар сияқты жерге қосылған**

беттерге дененің тиюін болдырмаңыз. Дененің жерге қосылған болса, тоқ соғу қаупі артады.

- **Электр құралдарына жаңбырдың немесе ылғалды жағдайлардың әсерін тигізбеңіз.** Электр құралға кіретін су тоқ соғу қаупін арттырады.
- **Сымды дұрыс емес пайдалануға болмайды.** Сымды электр құралды ұстап жүру, тарту немесе розеткадан ажырату үшін ешқашан пайдаланбаңыз. Сымды жылуудан, майдан, үшкір жиектерден немесе қозғалатын бөліктерден аулақ ұстаңыз. Зақымдалған немесе шатасқан сымдар тоқ соғу қаупін арттырады.
- **Электр құралды сыртта пайдаланғанда сыртта пайдалануға жарамды ұзартқыш сымды пайдаланыңыз.** Сыртта пайдалануға жарамды сымды пайдалану тоқ соғу қаупін азайтады.
- **Электр құралды ылғалды орында пайдалану керек болса, қалдық тоқтан қорғау құралын пайдаланып қуат беріңіз.** Қалдық тоқтан қорғау құралын пайдалану тоқ соғу қаупін азайтады.
- **ЕСКЕРТПЕ!** "Қалдық тоқтан қорғау құралы (RCD)" термині "жерге қысқа тұйықталу өшіргіші (GFCI)" немесе "жерге аққан кездегі тізбек ажыратқышы (ELCB)" терминімен ауыстырылуы мүмкін.
- **Ескерту!** Редуктордағы, қалқандағы және т.с.с. ашық металл беттерге ешқашан тимеңіз, өйткені металл беттерге тию электромагниттік толқындарға кедергі келтіріп, осылайша жарақаттарға немесе сәтсіз жағдайларға әкелуі мүмкін.

Жеке қауіпсіздік

- **Электр құралды пайдаланып жатқанда қырағы болыңыз, істеп жатқаныңызды қадағалаңыз және дұрыс ақылды пайдаланыңыз.** Электр құралды шаршап тұрғанда, я болмаса, есірткілердің, алкогольдің немесе дәрінің әсерінде болғанда пайдалануға болмайды. Электр құралдарын пайдалану кезінде бір сәт зейін бөлмеу ауыр жарақатқа әкелуі мүмкін.
- **Жеке қорғағыш жабдықты пайдаланыңыз.** Әрқашан кезді қорғау құралын киіңіз. Тиісті жағдайлар үшін пайдаланылатын шаң маскасы, сырғымайтын қауіпсіздік аяқ киімі, қатты қалпақ немесе естуді қорғау құралы сияқты қорғағыш жабдықтарды азайтады.
- **Кездейсоқ іске қосылуды болдырмаңыз.** Құралды қуат көзіне және / немесе батареялар жинағына қосу, көтеру немесе ұстап жүру алдында қосқыш өшірулі күйде екеніне көз жеткізіңіз. Электр құралды саусақты қосқышқа қойып ұстап жүру немесе қосқышы қосулы күйдегі электр құралдарына қуат беру сәтсіз жағдайларға әкеледі.
- **Электр құралын қосу алдында кез келген реттеу кілтін алыңыз.** Электр құралдың айналатын бөлігіне жалғанған күйде қалдырылған кілт жарақатқа әкелуі мүмкін.
- **Қатты жақындамаңыз.** Әрқашан тиісті қалыпты және теңгерімді сақтаңыз. Бұл күтпеген жағдайларда электр құралын жақсырақ басқаруға мүмкіндік береді.
- **Тиісті киімді киіңіз.** Бос киімді немесе зергерлік бұйымдарды кимеңіз. Шашты, киімді және қолғапты қозғалатын бөліктерден аулақ ұстаңыз. Бос киім, зергерлік бұйымдар немесе ұзын шаш қозғалатын бөліктерде тұрып қалуы мүмкін.
- **Шаңды шығарып алу және жинау құралдары қамтамасыз етілген болса, бұларды қосуды және тиісті түрде пайдалануды қамтамасыз**

Қазақ тілі

өтіңіз. Шаң жинауды пайдалану шаңға қатысты қауіптерді азайтады.

• **Құралдарды жиі пайдаланудан алынған таныстықтың сізді масаттануға және құрал қауіпсіздігі принциптерін елемуге өкелуіне жол бермеңіз.** Абайсыз әрекет секундтың бір бөлімінде ауыр жарақаттауы мүмкін.

• **Ескерту!** Пайдалану кезінде электр құралдар электромагниттік өріс тудырады. Кейбір жағдайларда бұл өріс белсенді немесе пассивті медициналық имплантаттарға кедергі келтіруі мүмкін. Ауыр немесе өлімге әкелетін жарақатты болдырмау үшін медициналық имплантаттары бар адамдарға осы электр құралды пайдалану алдында дәрігермен және медициналық имплантат өндірушісімен кеңесу ұсынылады.

Электр құралды пайдалану және күту

• Психофизикалық немесе ақыл-ой қабілеттері төмен адамдар, сонымен бірге балалар бұл электр құралды тек қауіпсіздігіне жауапты адам қадағаласа немесе электр құралды пайдалану туралы нұсқаулар берсе, пайдалана алады.

• **Электр құралға күш түсірмеңіз. Жағдайға сай дұрыс электр құралын пайдаланыңыз.** Дұрыс электр құралы өзі арналған жылдамдықпен жұмысты жақсырақ және қауіпсіздеу орындайды.

• **Қосқыш қоспаса және өшірмесе, электр құралды пайдалануға болмайды.** Қосқышпен басқару мүмкін емес кез келген электр құрал қауіпті және жөнделуі керек.

• **Кез келген реттеулерді жасау, қосалқы құралдарды ауыстыру немесе электр құралдарды сақтауға қою алдында ашаны қуат көзінен және / немесе батареялар жинағын электр құралдан ажыратыңыз.** Мұндай алдыналауға арналған сақтық шаралары электр құралының кездейсоқ іске қосылуы қауіпін азайтады.

• **Жұмыссыз тұрған электр құралдарын балалардан аулақ ұстаңыз және электр құралмен немесе осы нұсқаулармен таныс емес адамдарға электр құралын пайдалануға рұқсат етпеңіз.** Электр құралдар оқытылмаған пайдаланушылардың қолдарында қауіпті болады.

• **Электр құралдарына техникалық қызмет көрсетіңіз.** Қозғалатын бөліктердің қате туралануы немесе тұрып қалуы, сынған бөліктер және электр құралдың жұмысына әсер етуі мүмкін кез келген басқа жағдай бар-жоғын тексеріңіз. Зақымдалса, пайдалану алдында электр құралын жөндегіңіз. Көп сәтсіз жағдайларды нашар техникалық қызмет көрсетілетін электр құралдары тудырады.

• **Кесу құралдарын өткір және таза күйде ұстаңыз.** Тиісті түрде техникалық қызмет көрсетілетін, үшкір кесу жиектері бар кесу құралдарының тұрып қалу ықтималдығы азырақ және оларды басқару оңайырақ.

• **Электр құралын, қосалқы құралдарды және құралдың кескіштерін, т.б. Осы нұсқауларға сай, жұмыс жағдайларын және орындалатын жұмысты ескере отырып пайдаланыңыз.** Электр құралды көрсетілгеннен басқа әрекеттер үшін пайдалану қауіпті жағдайға өкелуі мүмкін.

• **Тұтқаларды және ұстайтын беттерді құрғақ, таза және май емес күйде ұстаңыз.** Жылпылдақ тұтқалар және ұстайтын беттер күтпеген жағдайларда құралды қауіпсіз ұстауға және басқаруға мүмкіндік бермейді.

• Электр құралды пайдаланғанда қосымша тұтқаны дұрыс ұстаңыз. Бұл электр құралын басқарғанда пайдалы. Сондықтан дұрыс ұстау сәтсіз жағдайлардың немесе жарақаттардың қауіпін азайтады.

Қызмет көрсету

• **Электр құралына білікті жөндеу маманы түпнұсқалық ауыстыру бөлшектерін пайдаланып қызмет көрсетуі керек.** Бұл электр құралының қауіпсіздігін сақтауды қамтамасыз етеді.

• Майлау және қосалқы құралдарды ауыстыру туралы нұсқауларды орындаңыз.

Арнайы қауіпсіздік туралы ескертулер

• **Соққымен бұрғылау кезінде құлақ қорғау құралдарын киіңіз.** Шудың әсері есту қабілетінің жоғалуына өкелуі мүмкін.

ЕСКЕРТПЕ: Жоғарыдағы ескерту тек соғатын бұрғыларға қатысты және соғатын емес бұрғылар үшін оны өткізіп жіберуге болады.

• **Құралмен бірге қамтамасыз етілген болса, қосымша тұтқаларды пайдаланыңыз.** Басқаруды жоғалту жарақатқа өкелуі мүмкін.

• **Кесу қосалқы құралы жасырын сымдарға немесе өзінің сымына тиюі мүмкін әрекетті орындау кезінде электр құралды оқшауланған ұстайтын беттерінен ұстаңыз.** Тоқ бар сымға тиген кесу қосалқы құралы электр құралдың ашық металл бөліктерін тоқ өтуіне өкеліп, операторды тоқ соғуы мүмкін.

Электр құралды пайдалану кезіндегі қауіпсіздік туралы нұсқаулар

• Дайындаманы бекіту керек. Дайындаманы бекіту үшін бекітілген құралдарды немесе қысқышты пайдалану керек. Бұл дайындаманы қолдармен ұстаудан қауіпсіздеу болады.

• Асбест қатерлі ісікті тудыруы мүмкін болғандықтан, асбестті қамтитын материалдарды өндемеу керек.

• Электр құралды бөліктері қозғалысын толығымен тоқтатқанда ғана қою керек. Жұмыс кезінде электр құралдың қосалқы құралы қысылып қалып, электр құралды басқаруды қиындатуы мүмкін.

• Электр сымдары зақымдалған электр құралды пайдаланбау керек. Қуатпен қамту электр сымдары жұмыс кезінде зақымдалса, зақымдалған электр сымдарына тимеу керек және ашаны дереу суыру керек. Зақымдалған электр сымдары тоқ соғу қауіпін арттырады.

• Электр құралдарды сыртта пайдаланғанда, электр құралда қысқа тұйықталу тоғынан (FI) қорғау қосқышын пайдаланыңыз.

• Жасырын қуат сымдарының орнын табу үшін тиісті детекторды пайдалану керек. Я болмаса, жергілікті қуатпен қамту компаниясынан қатысты ақпаратты алу керек. Электр сымдарын бұрғылау өртке және тоқ соғуына өкеледі. Зақымдалған газ құбыры жарылысқа өкеледі. Су құбырлары тесілсе, мүлік зақымдалады.

• Электр құралда орнатылған қосалқы құрал қысылып қалса, электр құралды өшіру және қозғалмау керек. Бұл кезде электр құрал өте

жоғары реактивті айналу моментін тудырып, осылайша кері тебуге әкеледі. Мысалы, электр құралда орнатылған қосалқы құрал мына жағдайда қысылуы мүмкін: электр құралды артық зарядтау немесе жұмыс кезінде электр құралда орнатылған қосалқы құралдың ауытқуы.

- Жасырын электр сымдар немесе электр құралының өзінің қуат желілері жұмыс кезінде кесілуі мүмкін болса, электр құралын пайдалану үшін оқшауланған тұтқандан ұстау керек. Электр құрал тоғы бар желіге тисе, электр құралындағы металл бөліктер тоқты өткізеді және операторды тоқ соғуы мүмкін.

- Жұмыс кезінде электр құралын қатты ұстау және жерде нық тұруды қамтамасыз ету керек. Электр құралын қолдармен ұстау керек.

- Электр құралды пайдаланғанда басқа бөліктерді емес, тек негізгі тұтқаның қосқыш күйін ұстауға болады.

- Жүктеме бар кезде электр құралының моторын тоқтатпаңыз.

- Электр құралдың моторы жұмыс істеп тұрғанда жаңқаларды немесе бөлшектерді ешқашан алмаңыз.

- Жұмыс істеп жатқанда қуатпен қамту кабелінің күйін бақылаңыз. Оның аяқтарға немесе қолдарға оралуын болдырмаңыз.

- Тек ақаулары жоқ, өткір бұрғыларды пайдаланыңыз. Бұл электр құралымен жұмысты жеңілдетеді.

- Бұрғы дизайнын өзгерту және осы электр құралына арналмаған алынбалы саптамаларды және қосалқы құралдарды пайдалануға қатаң түрде тыйым салынады.

- Электр құралын пайдалану кезінде артық қысым түсірмеңіз. Бұл бұрғының тұрып қалуына және қозғалтқышқа артық жүктеме түсуіне әкелуі мүмкін.

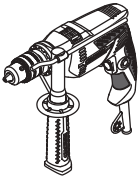
- Бұрғылардың өңделетін материалда тұрып қалуына жол бермеңіз. Бұл орын алса, оларды электр құралының қозғалтқышы арқылы босатуға тырыспаңыз. Бұл электр құралын істен шығаруы мүмкін.

- Өңделетін материалда тұрып қалған бұрғыны балғамен немесе басқа заттармен ұрып шығаруға қатаң түрде тыйым салынады. Металл бөлшектері операторды да, маңайдағы адамдарды да жарақаттауы мүмкін.



- Ұзақ пайдаланғанда электр құралының артық қызуына жол бермеңіз.

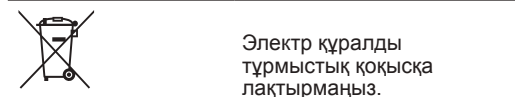
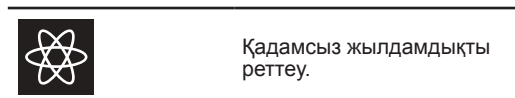
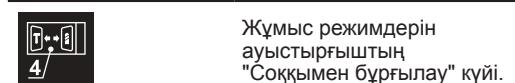
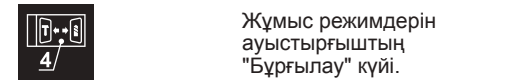
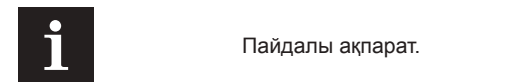
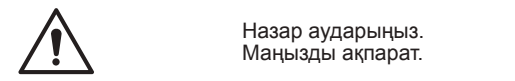
Нұсқаулықта қолданылатын таңбалар

Пайдалану нұсқаулығында төменде берілген таңбалар қоладнылады, олардың мағынасын есте сақтаңыз. Таңбаларды дұрыс түсіндіру электр құралды дұрыс және қауіпсіз қолдануға көмектеседі.

Таңба	Мағына
	Пневматикалық бұрғы Сұр түспен белгіленген аумақтар жұмсақ қабат (оқшауланған қабаты бар).

Таңба	Мағына
	Сериялық нөмір бар жапсырма: CT ... – үлгі; XX – өндіру күні; XXXXXXXX – сериялық нөмір.
	Қауіпсіздік техникасы туралы барлық нұсқаулармен және нұсқаулармен танысыңыз.
	Қорғағыш көзілдірікті киіңіз.
	Қорғағыш құлаққапты киіңіз.
	Шаңнан қорғайтын масканы киіңіз.
	Монтаждық және реттеу жұмыстарын өткізу алдында электр құралды желіден өшіріңіз.
	Жасырын электр сымдардың немесе тұрмыстық коммуникациялар магистральдарының зақымдалу қаупі.
	Қозғалыс бағыты.
	Айналу бағыты.
	Бұғатталған.
	Бұғаттаудан шығарылған.
	Тыйым салынған әрекет.
	"Бұрғылау" жұмыс режимі.
	Тақтаны бұрғылау тек екпінсіз режимде.

Таңба	Мағына
	Қос оқшаулау / қорғау сыныбы.
	Бұйым ЕО директиваларының негізгі талаптарына және Еуропалық Одақтың үйлестірілген стандарттарына сай екенін куәландыратын белгі.



Қозғалтқыш құралын қолдану салалары

Соғатын электр бұрғылар болатта, ағашта, керамикада бұрғылауда және кірпіште, бетонда және ұқсас материалдарда соққымен бұрғылауда пайдалануға арналған. Кері режимнің жылдамдығын және қол жетімділігін реттеу мүмкіндігі электр құралды бұрауыш ретінде пайдалануға мүмкіндік береді. Қосымша жарақтарды іске қосып бұрғыны қолдану салаларын арттыруға болады. Кейбір арнайы қосалқы құралдарды пайдаланып электр құралын тұрақты етіп орнату мүмкіндігі бар.

Қозғалтқыш құралдың құрамдастары

- 1 Тісті тәж ұстауышы
- 2 Тереңдік шектегіші *
- 3 Көмекші тұтқа *
- 4 Impact (Соққы) / drill (бұрғы) қосқышы

- 5 Ауа алмасатын тесіктер
- 6 Реверсивтік ауыстырып-қосқыш
- 7 Жылдамдықтарды дискілі ауыстырғыш
- 8 Ауыстырып-қосқышты құрсаулау тұймесі
- 9 Қосу / өшіру батырмасы
- 10 Бұрғылау балғасының ауыстырып-қосқышы *
- 11 Кілтсіз патрон (құлып бар)
- 12 Бұранда
- 13 Бұрағыштың жүзі *
- 14 Магниттік ұстағыш *
- 15 Кілтсіз патрон

* Қосымша құрамдастар

Кейбір суреттелген немесе сипатталған құрамдастар стандарттық жабдықтау ретінде қосылмаған.

Қозғалтқыш құралдың бөлшектерін орнату және жөнге салу

Қозғалтқыш құралмен кез кезлген жұмысты бастау алдында оны токтан ажыратып тастаңыз.



Бекіткіш бөлшектер бұрандаларын бұзып алмау үшін тым қатты тартпаңыз.



Кейбір элементтерді бекіту / шығару / орнату жолдары барлық қозғалтқыш құралдарда бірдей, бұл жағдайда ерекше модельдер суреттелмеген.

Қосымша тұтқа (1-сур. қараңыз)

Әрқашан, жұмыс кезінде 3-көмекші тұтқасын қолданыңыз. 3-көмекші тұтқасы пайдаланушыға ыңғайлы орналаса алады.

- 3-көмекші тұтқаны 1-сур. көрсетілгендей босатыңыз.
- 3-көмекші тұтқаны тиісті күйге орнатыңыз.
- 3-көмекші тұтқаны 1-сур. көрсетілгендей етіп бекітіңіз.

Тереңдік шектегіші (2-3 сур. қараңыз)

Қажетті ұңғылау тереңдігін орнату үшін 2-тереңдік шектегішін қолданыңыз (2 сур. қараңыз).

- 3-көмекші тұтқаны 2-сур. көрсетілгендей босатыңыз.
- Қажетті ұңғылау тереңдігін орнату үшін 2-тереңдік деңгейін жылжытыңыз (2 сур. қараңыз).
- 3-көмекші тұтқаны 3-сур. көрсетілгендей етіп бекітіңіз.

Жарақтарды орнату / ауыстыру



Ұзақ істегенде бұрғылар қызып кетуі мүмкін; оны шығару үшін қолғап қолданыңыз.

Тісті тәж ұстауышы (4 сур. қараңыз)

[СТ10128, СТ10129, СТ10130]

- Тіркесуді 10-қысу кілтінің жұдырықшаларымен жіберіңіз, содан кейін қолыңызбен 1-патронның

тісті тәж құралын жудырықшалар элементті орнату / ауыстыру мүмкіндігін беретін қашықтықта жылжымай қалғанша сағат тіліне қарсы бұраңыз (4-сур. қараңыз).

- Жарақты орнатыңыз / ауыстырыңыз.
- Орнатылған элементтерді бекіту үшін 1-патронның тісті тәжінің құралын қолыңызбен сағат тілінің бойымен бұрыңыз.
- Патронның бүйірлік бетіндегі үш саңылауының әрбірінде ұқсас айналу мезетін қолдана отырып, 10-сомынды қысу кілтімен 1-патронның тісті тәжінің жудырықшаларын тартыңыз.

Кілтсіз патрон (құлып бар) (5-сур. қараңыз)

[СТ10128С, СТ10129С]

- Кілтсіз патрон (құлып бар) 11 артындағы муфтаны орнына шырт етіп түскенше жылжытыңыз (5-сур. қараңыз).
- Кілтсіз патрон (құлып бар) 11 жақтарын ашыңыз - оның артқы бөлігін бір қолмен ұстап, алдыңғы бөлігін екінші қолмен 5-суретте көрсетілгендей айналдырыңыз.
- Жарақты орнатыңыз / ауыстырыңыз.
- Кілтсіз патронды (құлып бар) 11 5-суретте көрсетілгендей қосалқы құралды еңкейтпей бекемдеңіз.
- Құлыпты бекіту үшін кілтсіз патрон (құлып бар) 11 артындағы муфтаны орнына шырт етіп түскенше алға жылжытыңыз.

Кілтсіз патрон (6 сур. қараңыз)

[СТ10130С]

- Кілтсіз патронның 15 қысқыштарын ашыңыз - 6 сур. көрсетілгендей оның артқы жағын бір қолыңызбен ұстап алдыңғы жағын басқа қолыңызбен айналдырыңыз.
- Жарақты орнатыңыз / ауыстырыңыз.
- Кілтсіз патронды 15 - 6 сур. көрсетілгендей жарақты еңкейтпей тартып қысыңыз.

Бұрғы патронын бекіту / ажырату (7-12 сур. қараңыз)

- 1 тісті шеңбер патронын бекіту үшін әрекеттерді 7-суретте көрсетілгендей ретті кезеңдермен орындаңыз.
- 1 тісті шеңбер патронын ажырату үшін әрекеттерді 8-суретте көрсетілгендей ретті кезеңдермен орындаңыз.
- Кілтсіз патронды (құлып бар) 11 бекіту немесе ажырату ұқсас жолмен орындалады, 9-10 сур. қараңыз.
- 15 кілтсіз патронын бекіту немесе ажырату ұқсас жолмен орындалады, 11-12 сур. қараңыз.



Назар аударыңыз: бұрғы патронын бекіту / ажырату үдерісінде 12 бұрандасында сол жақ ирек ойма болатынын ескеріңіз.

Бұрағыштың жүзі / магниттік ұстағыш (13 сур. қараңыз)

Электр құралды бұрауыш ретінде пайдаланғанда 14 бұрауыш биталарын сенімді құлыптау

үшін 13 магниттік ұстағышын пайдаланыңыз (13-сур. қараңыз). 14 ұзартылған бұрауыш биталары (бұрауыштарға арналған) үшін 13 магниттік ұстағышы қажет емес.

Қозғалтқыш құралды алғашқы рет іске қосу

Әрдайым дұрыс электр кернеуін қолданыңыз: Қозғалтқыш құралдың электр кернеуі құралдың жеке мәліметтері бар тілімшеде көрсетілген электр кернеуіне сәйкес болуы керек.

Қозғалтқыш құралды қосу / өшіру

Қысқа уақытқа қосу / өшіру

Қосу үшін қосу / өшіру түймесін 9 басып ұстаңыз, өшіру үшін - жіберіңіз.

Ұзақ уақытқа қосу / өшіру

Қосу:

Қосу үшін қосу / өшіру түймесін 9 басып құрсаулау түймесімен қосу / өшіру түймесінде 8 бекітіңіз.

Өшіру:

Қосу / өшіру батырмасын 9 басыңыз содан кейін жіберіңіз.

Қозғалтқыш құралдың алғашқы рет іске қосу

"Impact (Соққы) / drill (бұрғы)" қосқышы

4 қосқышы электр құралдың келесі режимдерінің арасында ауысуға арналған:

• **бұрғылау, бұрау, бұрап алу** - ағашта, синтетикалық материалдарда, металда соққысыз бұрғылау. Бекіту құрамдастарын бұрау және бұрап алу;

• **соққымен бұрғылау** - кірпіште, бетонда, табиғи таста соққымен бұрғылау.



Бұрғылау, бұрау, бұрап алу:

Осы жұмыс режиміне ауысу үшін тоқтату күйі үшін 4 қосқышын оңға жылжытыңыз.



Соққымен бұрғылау:

Осы жұмыс режиміне ауысу үшін тоқтату күйі үшін 4 қосқышын солға жылжытыңыз.

Электр құралды тоқтатпастан басқа жұмыс режиміне ауысуға болады, жай оған қолданылатын қысымды біраз азайтыңыз.

Жылдамдықты ретсіз лайықтау



Жылдамдықты қосу / ажырату қосқышты 9 басып 0-ден максималды мөнге дейін бақылауға болады. Ақырын басса ол аз айналады, сонда қозғалтқыш құрылғы ақырын қосылады.

Жылдамдықтарды дискілі ауыстырғыш

Қажет айналымдар және соққылар жиілігін орнату үшін 7 жылдамдықты басқару тетігін пайдаланыңыз.

- Қосу үшін қосу / өшіру түймесін 9 басып құрсаулау түймесімен қосу / өшіру түймесінде 8 бекітіңіз.
- Қажет жылдамдықты орнатыңыз.

Талап етілетін жылдамдық материалға байланысты болып, тәжірибелік сынақтар арқылы анықталуы мүмкін.

Электрспабымен ұзақ уақыт бойы төмен жылдамдықпен жұмыс істеу кезінде, оны 3 минут бойы салқындату қажет. Оны жасау үшін ең жоғары жылдамдықты орнатып, электрспабын жұмыс істетіңіз.

Айналдыру бағытын ауыстыру



Айналдыру бағытын тек қозғалтқыш толығымен тоқтағанда ауыстырыңыз, әйтпесе ол қозғалтқыш құрылғының бұзылуына әкелуі мүмкін.

Сағат тілі жүрісі бойынша айналу (бұрғылау, бұрандаларды бекіту) - реверсивтік ауыстырып-қосқышты 6 солға қарай жылжытыңыз.

Сағат тілі жүрісіне қарсы айналу (бұрандаларды бұрап шығару) - реверсивтік ауыстырып-қосқышты 6 оңға қарай жылжытыңыз.

Қозғалтқыш құралды қолдану бойынша ұсыныстар

Бұрғылау (14-17 сур. қараңыз)

- Металл затта тесік бұрғылағанда (түсті металл және оның қорытпаларын қоспағанда) үнемі бұрғыны біраз майлап тұрыңыз.
- Қатты металлдарды бұрғылаған кезде көбірек күш қосыңыз және төменірек айналу жылдамдығын орнатыңыз.
- Металл затта диаметрі үлкен тесік бұрғылаған кезде, алғашында диаметрі кішкентай тесік бұрғылап оны керекті мөлшерге дейін үлкейтіңіз (14 сур. қараңыз).
- Ағашта тесік бұрғылаған кезде бұрғының шығу жерінде жарылыс пайда болмау үшін 14 сур. көрсетілген нұсқауларды орындаңыз.
- Қабырға немесе төбені бұрғылаған кезде шығатын шаңды азайту үшін 15-16 сур. көрсетілген нұсқауларды орындаңыз.
- Жылтыратылған кафель тақталарын бұрғылау кезінде бұрғының центрлеу дәлдігін жақсарту үшін және жалтырағын зақымдалудан қорғау үшін шамаланатын орталық саңылауында желімтек лентаны қолданыңыз және тек осыдан кейін ғана бұрғылаңыз (17 сур. қараңыз). **Назар аударыңыз: тақтаны бұрғылау тек екпінсіз режімде.**

Соққымен бұрғылау

Соққымен бұрғылау кезінде нәтиже электр құралға қолданылатын қысымға байланысты емес - мұны

соғу механизмі дизайнындағы ерекшеліктер тудырады. Осы себепті электр құралға артық қысым қолданбау керек - бұл бұрғыны бұғаттауы және қозғалтқышқа артық жүктеме түсіруі мүмкін.

Бұрандаларды бұрғылау (18 сур. қараңыз)

- Бұрандаларды бекіту үшін және бұйым жарылып кетпеу үшін, алдымен диаметрі бұранданың диаметрі 2/3 бөлігіне тең тесікті бұрғылаңыз.
- Егер сіз бұйымдарды бір біріне бұрандалар арқылы қоссаңыз, оны мықтылап қосу үшін 18 сур. көрсетілген әрекетті жасаңыз.

Қозғалтқыш құралды жөндеу / алдын алу шаралары

Қозғалтқыш құралмен кез кезелген жұмысты бастау алдында оны токтан ажыратып тастаңыз.

Қозғалтқыш құралды тазалау

Құрылғыны ұзақ уақыт қолданудың маңызды талабы - оны таза ұстау. Құрылғыны әрдайым сығылған ауамен ауа алмасатын тесіктерінен үрлеп тазартып тұрыңыз 5.

Сатудан кейінгі қызмет және өтінім бойынша қызмет

Біздің сатудан кейінгі қызмет өнімге техникалық қызмет көрсетуге және оны жөндеуге, сонымен бірге, қосалқы бөлшектерге қатысты сұрақтарыңызға жауап береді. Сондай-ақ, сервистік орталықтар туралы ақпаратты, бөліктердің диаграммаларын және қосалқы бөлшектер туралы ақпаратты мына бетте табуға болады: www.crown-tools.com.

Электр құралдарын тасымалдау

- Тасымалдау кезінде қаптамаға ешбір механикалық әсерді тигізуге болмайды.
- Жүкті түсіргенде / жүктегенде қысып орау қағидатымен жұмыс істейтін ешбір технология түрін пайдалануға рұқсат етілмеген.

Қоршаған ортаны сақтау



Шикізатты қоқыс ретінде пайдаға асырудың орнына қайта қолдануға жіберіңіз.

Электр құралы, жарақаттар және бума қоршаған ортаға зиянсыз қайта қолдануға жіберілуі керек.

Пластикалық компоненттер сыныпталған қайта қолдану үшін белгіленген.

Бұл нұсқаулар қайта қолданылатын хлорин қосылмаған қағазда басып шығарылған.

Өндіруші өзгерістер енгізуі мүмкін.

Қазақ тілі

